

# USER MANUAL

**VICAIR**<sup>®</sup>

**XXTRA 02**



relief by air

<b>EN</b>	USER MANUAL	3
<b>NL</b>	GEbruikersHANDLEIDING	8
<b>DE</b>	GEBRAUCHSANWEISUNG	14
<b>FR</b>	MANUEL DE L'UTILISATEUR	20
<b>DA</b>	BRUGERVEJLEDNING	26
<b>SV</b>	BRUKSANVISNING	31
<b>NO</b>	BRUKERMANUAL	36
<b>FI</b>	KÄYTTÖOHJE	41
<b>ES</b>	MANUAL DEL USUARIO	46
<b>PT</b>	MANUAL DE UTILIZADOR	52
<b>IT</b>	MANUALE UTENTE	58
<b>GR</b>	ΕΓΧΕΙΡΙΔΙΟ ΧΡΗΣΗΣ	64
<b>HR</b>	KORISNIČKI PRIRUČNIK	70
<b>SL</b>	UPORABNIŠKI PRIROČNIK	75
<b>PL</b>	INSTRUKCJA OBSŁUGI	80
<b>ZH</b>	用户手册	86
<b>JP</b>	ユーザーマニュアル	90

Dear customer,

Thank you for choosing a Vicair® product. We are sure you will appreciate the simplicity, reliability and fantastic effect. For quick installation you can use the quick installation guide provided with your cushion. In addition, please read and understand this user manual before use. Save both the Quick Installation Guide and this manual for future reference.

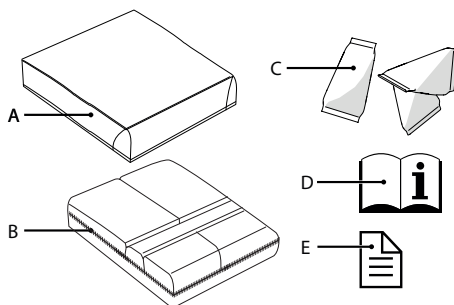
For more information or to (re)order manuals, contact your country's distributor.

Go to [vicair.com](http://vicair.com) for distributor information.

## INTRODUCTION

The Vicair XXtra O2 is a large sized wheelchair seat cushion that provides a very high level of skin protection for bariatric persons with a high risk of developing pressure ulcers. It is used to improve the body-posture, to prevent pressure ulcers and to provide comfort and stable body support. It is also a high performance addition to a pressure ulcer treatment plan (stage I-IV). The Vicair XXtra O2 cushion is machine washable without removing the SmartCells!

## MAIN COMPONENTS



- A** Cushion cover
- B** Cushion
- C** SmartCells™, placed in 5 compartments
- D** User manual
- E** Quick Installation Guide

## GENERAL PRODUCT SPECIFICATIONS

Product name:	Vicair XXtra O2
Manufactured by:	Vicair B.V., The Netherlands
Warranty:	24 months
Weight (excl. cover):	Smallest size: 0,5 kg / 1.1 lbs Medium size: 0,8 kg / 1.8 lbs Largest size: 1 kg / 2.2 lbs
Available sizes:	See the grid in the back of the manual
Used materials:	All latex free
Cushion:	Top made of polyester fabric with polyurethane coating, bottom of polyester mesh fabric
Filling:	Air-filled SmartCells with low friction coating
O2 Top Cover:	Top: Knitted Polyester fabric. Bottom rim: Polyester fabric with polyurethane anti-slip coating.

### Alternative cushion covers:

Comfair Cover: Top: Knitted Polyester fabric. Sides: Polyester 3D Mesh fabric. Bottom: Polyester fabric with polyurethane anti-slip coating.

Incotec Cover: Top: Knitted Polyester fabric, coated with fluid resistant breathable polyurethane. Bottom: Polyester fabric with polyurethane anti-slip coating.

All covers: Machine washable. Covers comply with EN1021-1, 1021-2 and CAL117.

## PRECAUTIONS AND SAFETY INSTRUCTIONS

---

A Vicair wheelchair seat cushion may only be used as a wheelchair seat cushion. The use of this product in any other way, is considered to be misuse. Vicair B.V. cannot be held responsible for damage caused by misuse, improper use or negligence. Make sure that you read and understand this manual completely.

**Warning!** Vicair B.V. recommends to install the Vicair XXtra O2 under direct supervision of a therapist or technical advisor.

**Warning!** Your tailbone and pelvic bones should not touch the bottom of the cushion. Checking for "bottoming out" should be done during first use and after adjustments to the cushion filling.

**Warning!** Check your skin regularly for redness, especially during the first few days. If redness occurs and does not disappear after 15 minutes, consult your therapist or technical advisor.

**Warning!** Vicair B.V. recommends to adjust the filling grade under the direct supervision of your therapist or technical advisor.

**Warning!** No testing data is currently available about the safe use of Vicair wheelchair cushions in motor vehicles. Therefore we do not encourage using the wheelchair cushion in motor vehicles.

**Warning!** In case of soiling with body fluids, and when transferring the product to another user,

the product must be disinfected to avoid cross contamination.

**Warning!** Every three months, check the product for wear and deflated cells. In case of serious damage, or a large number of deflated cells, do not continue to use the product. Consult your dealer.

**Caution!** Do not use or leave the product close to a naked flame or a high temperature heat source.

**Caution!** Do not steam clean or autoclave the product. The product cannot withstand excessive heat or pressure. When the given cleaning instructions are not followed, it is very likely that the product and/or the product's cover will age more rapid.

**Caution!** Do not use aggressive or abrasive cleaners, or sharp objects to clean the cushion.

**Caution!** Do not place the topside of the Vicair O2 cushion against the glass of the washer door.

**Caution!** Make sure the cushion cannot interfere with the wheel spokes.

## INSTALLATION

---

**Warning!** Vicair B.V. recommends to install the Vicair XXtra O2 under direct supervision of a therapist or technical advisor.

**Caution!** Make sure the cushion cannot interfere with the wheel spokes.

**Notice!** Always use cushion with cover.

**Notice!** Make sure that the wheelchair seat is clean and degreased.

**Tip:** When you prefer not to use the Velcro, you can remove the Velcro strips. Note that the strips confected to the bottom of the cushion and/or cushion cover cannot be removed.

### Perform the following steps when using the O2 Top Cover

These steps correspond to installation images 1-6 on the Quick Installation Guide:

- Check cushion size. Width (X) of the cushion and seat should match. When the cushion rests against armrests or side-guards, the

width may be up to 2,5 cm (1") wider. Depth (Y) of the cushion and seat should match.

- Check if the size of the cover matches the size of the cushion.
- Remove protective backing tape from selfadhesive Velcro strips attached to the bottom of the cushion.
- Place cushion by pressing firmly.
- Place the O2 Top Cover over the top of the cushion.
- Pass the loop at the back of the cushion through the 'button hole' in the back of the cover.
- Sit on the cushion for a few minutes, to allow the cushion to adapt to your body shape.
- If necessary, adjust footrest(s).

#### **Alternative cushion covers**

Perform the following steps when using the Comfair Cover or Incotec Cover.

- Check cushion size. Width (X) of the cushion and seat should match. When the cushion rests against armrests or side-guards, the width may be up to 2,5 cm (1") wider. Depth (Y) of the cushion and seat should match.
- Check if the size of the cover matches the size of the cushion.
- Remove the Velcro strips from the bottom of the cushion. Note that the strips connected to the bottom of the cushion cannot be removed.
- Insert cushion in cover.
- Pass loop through eyelet in cover.
- Close zipper. Make sure to not damage the cushion.
- Remove protective backing tape from selfadhesive Velcro strips attached to the cushion cover.
- Place cushion by pressing firmly.
- Sit on the cushion for a few minutes, to allow the cushion to adapt to your body shape.
- If necessary, adjust footrest(s).

#### **Checking for "bottoming out":**

Image 7 - Quick Installation Guide

**Warning!** Your tailbone and pelvic bones should not touch the bottom of the cushion. Checking for "bottoming out" should be done during first use and after adjustments to the cushion filling.

**Warning!** Vicair B.V. recommends to adjust the filling grade under the direct supervision of your therapist or technical advisor.

- Check for bottoming out, after sitting on the cushion for approximately 5 minutes.
- Let your therapist or technical advisor slide a hand between your buttocks and the Vicair cushion while leaning forward.
- Ask your therapist or technical advisor to check if your lowest bony prominences are supported by at least 2,5 cm / 1" of SmartCells™. This prevents them from touching the wheelchair seat.
- Do not use the cushion if bottoming out occurs. In most cases, adjusting the filling grade of the compartments will solve the problem.

## **USE**

---

#### **Checking for redness of the skin**

Image 8 - Quick Installation Guide

**Warning!** Check your skin regularly for redness, especially during the first few days. If redness occurs and does not disappear after 15 minutes, consult your therapist or technical advisor.

#### **Adjusting the filling grade**

**Warning!** Vicair B.V. recommends to adjust the filling grade under the direct supervision of your therapist or technical advisor.

#### **Ready for use**

This Vicair product is ready for use. It has its own unique filling grade, depending on size and model and automatically manages small obliquities. However – if necessary to support

more extreme asymmetry – the filling grade can be adjusted by removing or adding SmartCells from/to the various compartments. You can find the default filling grade on the label attached to the cushion.

### Conditions for use and storage

**Caution!** Do not use or leave the product close to a naked flame or a high temperature heat source.

- **User weight:**

Minimum: 100 kg/ 220 lbs

Maximum: 500 kg/ 1102 lbs

- **Temperature:**

Minimum: -20 °C / 4 °F,

maximum: 55 °C / 131 °F

- **Use at high altitude**

**Notice!** Vicair B.V. recommends not to use the cushion above 2400 m (8000 ft) above sea level or below 50 m (164 ft) below sea level. Because each SmartCell is filled with air, the cushion may behave differently when used at high altitude or in an airplane. Under such circumstances, the cushion's firmness can be adjusted by removing a few cells from each compartment.

- **Air humidity:**

Minimum: 0%, maximum 100%

### Daily fluff-up

Vicair B.V. recommends to fluff-up your Vicair cushion before use on a daily basis.

### Use of Vicair seat cushions in motor vehicles

**Warning!** No testing data is currently available about the safe use of Vicair wheelchair cushions in motor vehicles. Therefore we do not encourage using the wheelchair cushion in motor vehicles. As an alternative for your Vicair wheelchair cushion, the Vicair AllRounder O2 (which can be fastened to the user's body) can be used if you require additional protection during transportation.

### Re-use - Transferring the product to another user

The product is suitable for repeated use.

The number of times it can be used depends on how often and in which way the product is used.

The product has to be thoroughly cleaned and disinfected, before another person is allowed to use the it. See chapter 'Maintenance and cleaning' for instructions.

**Notice!** Make sure the product is correctly adjusted to the other person.

### Replacing the cushion cover

Under normal use, Vicair B.V. recommends to replace the cushion cover every year.

Replacement covers can be purchased separately.

### Disposal

The disposal and recycling of used devices and packaging must comply with the applicable legal regulation. Ensure the product is cleaned prior to disposal to avoid any risk of contamination.

## MAINTENANCE AND CLEANING

---

**Warning!** Every three months, check the product for wear and deflated cells. In case of serious damage, or a large number of deflated cells, do not continue to use the product. Consult your dealer.

**Caution!** Do not steam clean or autoclave the product. It cannot withstand excessive heat or pressure. When the given cleaning instructions are not followed, it is very likely that the product will age more rapid.

**Caution!** Do not use aggressive or abrasive cleaners, or sharp objects to clean the cushion.

**Caution!** Do not place the topside of the Vicair O2 cushion against the glass of the washer door.

## Cleaning the Vicair XXtra O2

- **Cleaning the Vicair XXtra O2 cushion cover**

The cushion cover can be machine washed. Follow the washing instructions on the label attached to the inside of the cover.

(60 °C= 140 °F)



- **Cleaning the Vicair XXtra O2 cushion**

Your Vicair O2 cushion can be machine washed at 60°C / 140 °F using an anti-crease cycle and mild detergent. You do not need to remove the SmartCells before putting the cushion into the washing machine. Make sure the topside of the cushion is not placed against the glass of the washer door. Do not load the machine with more than half of its maximum load weight. Spin speed should be reduced. When using a machine with agitator, make sure that the cushion can move freely within the drum. Do not use any chlorine bleach and do not dry clean! Do not tumble dry your Vicair O2 cushion but let it air dry (5-6 hours). You can use the sling to hang dry your Vicair O2 cushion.



## Disinfecting your Vicair XXtra O2

**Warning!** In case of soiling with body fluids, and when transferring the product to another user, the product must be disinfected to avoid cross contamination. Clean the cushion and cover as instructed above. Preferably use an anti-bacterial detergent. After cleaning spray your cushion and cover with a disinfectant. Bend compartments outwards to make sure the spray gets into the gaps.

## WARRANTY

---

Please see [www.vicair.com](http://www.vicair.com) for complete information on warranty processes, terms and conditions.

Vicair B.V. offers a limited warranty against defects in workmanship and materials, provided the product has been used normally. Any damage arising from abnormal use, or caused by improper handling, cleaning, or negligence, is excluded from this warranty.

### Warranty period

From original date of purchase: 24 months.

The SmartCells in this Vicair O2 cushion have a lifelong warranty period.

Should a defect in materials or workmanship occur within the above mentioned warranty period, Vicair B.V. will – at its own choice – repair or replace the product free of charge. The cushion cover is excluded from this warranty. Remedies for breach of express warranties herein are limited to repair or replacement of the product.

In no event shall damages for breach of any warranty include any consequential damages or exceed the cost of non-conforming goods sold.

---

### Any questions?

Contact Vicair B.V. at [info@vicair.com](mailto:info@vicair.com) or contact your country's Vicair distributor.

Beste klant,

Bedankt voor uw keuze van dit Vicair® product. Wij zijn er van overtuigd dat u de eenvoud, betrouwbaarheid en de hoogwaardige werking snel zult waarderen. Voor een snelle ingebruikname volgt u de aanwijzingen op de bijgeleverde 'Quick Installation Guide'.

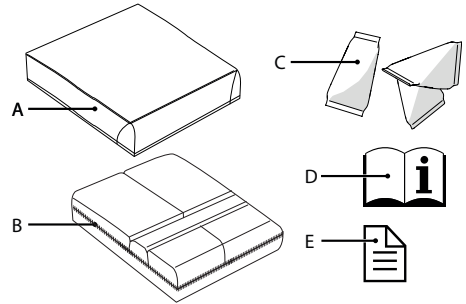
Daarnaast dient u deze handleiding volledig te lezen en te begrijpen alvorens het product te gebruiken. Bewaar deze handleiding en de 'Quick Installation Guide' goed.

Voor meer informatie of het bestellen van handleidingen, neem contact op met de Vicair distributeur in uw land. Kijk op [vicair.com](http://vicair.com) voor informatie over uw distributeur.

## INTRODUCTIE

De Vicair XXtra O2 is een rolstoel zitkussen met een grote maatvoering. Het biedt een zeer hoge mate van huidbescherming biedt aan personen met obesitas en een verhoogd risico op decubitus. Het wordt gebruikt ter bevordering van de lichaamshouding, ter voorkoming van decubitus, voor comfort en stabiele lichaamsondersteuning. De Vicair XXtra O2 is tevens een hoogwaardige toevoeging aan een decubitus behandelplan (graad I – IV). De Vicair XXtra O2 is machinewasbaar zonder dat u de SmartCells hoeft te verwijderen!

## BELANGRIJKSTE ONDERDELEN



- A** Kussenhoes
- B** Kussen
- C** SmartCells™, verdeeld over 5 compartimenten
- D** Handleiding
- E** Quick Installation Guide

## ALGEMENE PRODUCTSPECIFICATIES

Productnaam:	Vicair XXtra O2
Fabrikant:	Vicair B.V., Nederland
Garantie:	24 maanden
Gewicht (excl. hoës):	Kleinste maat: 0,5 kg / 1,1 lbs Medium maat: 0,8 kg / 1,8 lbs Grootste maat: 1 kg / 2,2 lbs
Verkrijgbare maten:	Zie maatoverzicht achterin de handleiding
Gebruikte materialen:	Latex vrij
Kussen:	Bovenzijde polyester stof met polyurethaan coating, onderzijde polyester mesh stof
Vulling:	Luchtgevulde SmartCells met low-friction coating
O2 Top Cover kussenhoës:	Bovenkant: Gebreide polyester stof. Onderste rand: Polyester stof met polyurethaan antislip laag.

### **Alternatieve kussenhoezen:**

Comfair Cover: Bovenkant: Gebreide polyester stof. Zijden: Polyester 3D mesh stof. Onderkant: Polyester stof met polyurethaan antislip laag.  
Incotec Cover: Bovenkant: Gebreide polyester stof, gecoat met vloeistofbestendige, ademende polyurethaan. Onderkant: Polyester stof met polyurethaan antislip laag.

Alle hoezen: Machinaal wasbaar. Voldoen aan EN1021-1, EN1021-2 en CAL117.

## **VOORZORGSMAATREGELEN EN VEILIGHEIDSINSTRUCTIES**

---

Een Vicair rolstoel zitkussen mag alleen gebruikt worden als een rolstoel zitkussen. Ieder ander gebruik wordt gezien als oneigenlijk gebruik. Vicair B.V. kan niet verantwoordelijk worden gesteld voor eventuele schade veroorzaakt door oneigenlijk, verkeerd of onverstandig gebruik. Zorg ervoor dat u deze handleiding volledig leest en begrijpt.

**Waarschuwing!** Vicair B.V. beveelt aan om dit product te installeren onder begeleiding van een therapeut of technisch adviseur.

**Waarschuwing!** Uw staartbeen en bekken mogen de bodem van het kussen niet raken. Het controleren op doorzitten moet worden gedaan tijdens het eerste gebruik en na aanpassingen aan de vulling van uw kussen.

**Waarschuwing!** Controleer uw huid regelmatig op roodheid, vooral tijdens de eerste paar dagen dat u het kussen gebruikt. Als roodheid optreedt en niet verdwijnt na 15 minuten, raadpleeg dan uw therapeut of adviseur.

**Waarschuwing!** Vicair B.V. beveelt aan om de vulgraad aan te passen onder begeleiding van uw therapeut of adviseur.

**Waarschuwing!** Op dit moment zijn geen testgegevens beschikbaar over het veilig gebruik van Vicair rolstoel zitkussens in motorvoertuigen. Daarom raden wij af het

kussen in motorvoertuigen te gebruiken.

**Waarschuwing!** In het geval van verontreiniging met lichaamsvloeistoffen of voordat dit product door een ander persoon gebruikt wordt, moet het product gedesinfecteerd worden om kruisbesmetting te voorkomen.

**Waarschuwing!** Controleer het product om de drie maanden op slijtage en kapotte cellen. Bij ernstige beschadigingen, of een groot aantal kapotte cellen, mag u het kussen niet langer gebruiken. Raadpleeg uw verkoper.

**Voorzichtig!** Gebruik of bewaar dit product niet dichtbij open vuur of een sterke hittebron.

**Voorzichtig!** Dit product niet reinigen in een stomerij of autoclaaf. Het product is niet bestand tegen extreme hitte of druk. Indien de opgegeven was-instructies niet in acht worden genomen, kan een versnelde veroudering van dit product en/of de hoes van dit product plaatsvinden.

**Voorzichtig!** Gebruik geen agressieve of schurende schoonmaakmiddelen of scherpe voorwerpen om het kussen te reinigen.

**Voorzichtig!** Plaats de bovenkant van het Vicair O2 kussen niet tegen het glas van de wasmachinedeur.

**Voorzichtig!** Zorg ervoor dat het kussen niet in contact kan komen met de wielspaken van uw rolstoel.

## **INSTALLATIE**

---

**Waarschuwing!** Vicair B.V. beveelt aan om dit product te installeren onder begeleiding van een therapeut of technisch adviseur.

**Voorzichtig!** Zorg ervoor dat het kussen niet in contact kan komen met de wielspaken van uw rolstoel.

**Let op!** Gebruik het kussen altijd met kussenhoes.

**Let op!** Zorg voor het installeren dat de zitting van de rolstoel schoon en vetvrij is.

**Tip:** U kunt er ook voor kiezen om het kussen

niet met klittenband op uw rolstoel te bevestigen. Verwijder in dit geval het deel van het klittenband dat voorzien is van de zelfklevende strook. Het andere deel van het klittenband is vastgestikt aan het kussen en/of de kussenhoes en kan niet verwijderd worden.

### **Volg de volgende stappen wanneer u een O2 Top Cover kussenhoes gebruikt**

Deze stappen komen overeen met de installatieafbeeldingen 1- 6 op de Quick Installation Guide:

- Controleer de maat van het kussen.
- Breedte (X) van het kussen en de zitting moeten overeen komen. Indien het kussen steunt tegen armsteunen of zijschotten, dan mag de kussenbreedte tot maximaal 2,5 cm (1") breder dan de zitting zijn. Diepte (Y) van het kussen en de zitting moeten overeen komen.
- Controleer of de maat van de kussenhoes overeenkomt met de maat van het kussen.
- Verwijder het beschermepapier van de zelfklevende stroken klittenband aan de onderzijde van het kussen.
- Plaats het kussen en druk het stevig aan.
- Plaats de O2 Top Cover over de bovenzijde van het kussen.
- Haal het lusje aan de achterzijde van het kussen door het 'knoopsgat' achterin de hoes.
- Ga enkele minuten op het kussen zitten, zodat deze zich aan de vorm van uw lichaam kan aanpassen.
- Pas zo nodig de voetsteun(en) van uw rolstoel aan.

### **Alternatieve kussenhoezen**

Voer de volgende stappen uit bij het gebruik van de Comfair Cover of Incotec Cover.

- Controleer de maat van het kussen.
- Breedte (X) van het kussen en de zitting

moeten overeen komen. Indien het kussen steunt tegen armsteunen of zijschotten, dan mag de kussenbreedte tot maximaal 2,5 cm (1") breder dan de zitting zijn. Diepte (Y) van het kussen en de zitting moeten overeen komen.

- Controleer of de maat van de kussenhoes overeenkomt met de maat van het kussen.
- Verwijder het deel van het klittenband dat is voorzien van de zelfklevende strook van de onderzijde van het kussen. Het deel dat is vastgestikt aan het kussen kan niet verwijderd worden.
- Plaats het kussen in de kussenhoes.
- Haal het lusje aan de onder-achterzijde van het kussen door het metalen ringetje in de hoes.
- Sluit de rits. Zorg ervoor dat u tijdens het sluiten het kussen niet beschadigt.
- Verwijder het beschermepapier van de zelfklevende stroken klittenband aan de onderzijde van de hoes.
- Plaats het kussen en druk het stevig aan.
- Ga enkele minuten op het kussen zitten, zodat het zich aan de vorm van uw lichaam kan aanpassen.
- Pas zo nodig de voetsteun(en) van uw rolstoel aan.

### **Controleren op doorzitten:**

Afbeelding 7 - Quick Installation Guide

**Waarschuwing!** Uw staartbeen en bekken mogen de bodem van het kussen niet raken. Het controleren op doorzitten moet worden gedaan tijdens het eerste gebruik en na aanpassingen aan de vulling van uw kussen.

**Waarschuwing!** Vicair B.V. beveelt aan om de vulgraad aan te passen onder begeleiding van uw therapeut of adviseur.

- Controleer op doorzitten, nadat u ongeveer 5 minuten op het kussen heeft gezeten.
- Vraag uw therapeut of adviseur een hand tussen uw billen en het Vicair kussen te

- schuiven, terwijl u voorover leunt.
- Vraag de therapeut of adviseur om te controleren of uw billen ondersteund worden door een laag SmartCells van tenminste 2,5 cm / 1". Dit om te voorkomen dat uw zitbeenderen de rolstoelzitting kunnen raken.
  - Gebruik het kussen niet als doorzitten optreedt. In de meeste gevallen zal het probleem kunnen worden opgelost door de vulgraad van de compartimenten aan te passen.

## GEBRUIK

---

### Controleren op roodheid van de huid

Afbeelding 8 - Quick Installation Guide

**Waarschuwing!** Controleer uw huid regelmatig op roodheid, vooral tijdens de eerste paar dagen dat u het kussen gebruikt. Als roodheid optreedt en niet verdwijnt na 15 minuten, raadpleeg dan uw therapeut of adviseur.

### Aanpassen van de vulgraad

**Waarschuwing!** Vicair B.V. beveelt aan om de vulgraad aan te passen onder begeleiding van uw therapeut of adviseur.

### Ready for use

Dit Vicair product is 'Ready for use': klaar voor gebruik. Het heeft zijn eigen unieke vulgraad, afhankelijk van de maat en het model, en kan automatisch geringe scheefstand corrigeren. Desondanks is het – indien noodzakelijk ter ondersteuning van extremere asymmetrie – mogelijk om de vulgraad aan te passen door SmartCells toe te voegen aan of te verwijderen uit de compartimenten. U kunt de originele vulgraad vinden op het kussenlabel.

### Omgevingscondities voor gebruik en opslag

**Voorzichtig!** Gebruik of bewaar dit product niet dichtbij open vuur of een sterke hittebron.

- **Gebruikersgewicht:**  
Minimum 100 kg / 220 lbs

maximum 500 kg / 1102

- **Temperatuur:**  
Minimum: -20 °C / 4 °F,  
maximum: 55 °C / 131 °F
- **Gebruik op grote hoogte**  
**Let op!** Vicair B.V. beveelt aan dit product niet op een hoogte lager dan 50 meter onder zeeniveau of hoger dan 2400 meter boven zeeniveau te gebruiken. Omdat de SmartCells gevuld zijn met lucht, kan het kussen anders aanvoelen als het op grote hoogte of in een vliegtuig gebruikt wordt. Onder zulke omstandigheden kan de stevigheid van het kussen worden aangepast door uit elk compartiment een paar SmartCells te verwijderen.
- **Luchtvochtigheid:**  
Minimum: 0%, maximum 100%

### Dagelijks opschudden

Vicair B.V. beveelt aan om uw kussen dagelijks op te schudden voor gebruik.

### Gebruik in motorvoertuigen

**Waarschuwing!** Op dit moment zijn geen testgegevens beschikbaar over het veilig gebruik van Vicair rolstoel zitkussens in motorvoertuigen. Daarom raden wij af het kussen in motorvoertuigen te gebruiken. Als alternatief kan de Vicair AllRounder O2 worden gebruikt (welke aan het lichaam kan worden bevestigd), als u aanvullende bescherming nodig heeft tijdens vervoer.

### Het kussen door een ander persoon laten gebruiken

Dit product is geschikt voor hergebruik. Hoe vaak dit product kan worden hergebruikt hangt af van hoe en hoe intensief het product gebruikt wordt. Voordat u iemand anders het kussen laat gebruiken, moeten het kussen en de hoes gereinigd en gedesinfecteerd worden. Zie de instructies in hoofdstuk 'Onderhoud en Reiniging'. Let op! Zorg ervoor dat het kussen correct is aangepast aan de nieuwe gebruiker.

## Vervangen van de kussenhoes

Vicair B.V. beveelt aan om bij normaal gebruik de kussenhoes ieder jaar te vervangen. Hoezen kunnen los besteld worden.

## Het product weggoaien

Het weggoaien en recyclen van product en verpakking moet worden uitgevoerd overeenkomstig de hiervoor geldende regelgeving. Zorg ervoor dat het product voor het weggoaien is gereinigd, ter voorkoming van kruisbesmetting.

## ONDERHOUD EN REINIGING

**Waarschuwing!** Controleer het product om de drie maanden op slijtage en kapotte cellen. Bij ernstige beschadigingen, of een groot aantal kapotte cellen, mag u het kussen niet langer gebruiken. Raadpleeg uw verkoper.

**Voorzichtig!** Dit product niet reinigen in de stomerij of autoclaaf. Het product is niet bestand tegen extreme hitte of druk. Indien de opgegeven wasinstructies niet in acht worden genomen, kan een versnelde veroudering van het product plaatsvinden.

**Voorzichtig!** Gebruik geen agressieve of schurende schoonmaakmiddelen of scherpe voorwerpen om het kussen te reinigen.

**Voorzichtig!** Plaats de bovenkant van het Vicair O2 kussen niet tegen het glas van de wasmachinedeur.

## Het reinigen van de Vicair XXtra O2

- **Het reinigen van de kussenhoes van de Vicair XXtra O2**

De kussenhoes is machinaal wasbaar. Volg hiervoor de wasinstructies op het label aan de binnenkant van de hoes.

(60 °C=140 °F)



- **Het reinigen van het Vicair XXtra O2 kussen**

Uw Vicair O2 kussen kan in de machine op 60°C /140 °F worden gewassen op een anti-creuk programma, met een mild wasmiddel. U hoeft de SmartCells niet te verwijderen voordat u het kussen in de wasmachine doet. Zorg ervoor dat de bovenkant van het kussen niet tegen het glas van de wasmachinedeur wordt geplaatst. Laad de machine niet met meer dan de helft van het maximale gewicht. De centrifugesnelheid moet worden verlaagd. Wanneer u een machine met roerwerk gebruikt, zorg er dan voor dat het kussen vrij in de trommel kan bewegen. Niet chloorbleken en niet stomen! Het Vicair O2 kussen niet drogen in de droger. Laat het kussen aan de lucht drogen (5-6 uur). U kunt het lusje gebruiken om het Vicair O2 kussen aan op te hangen tijdens het drogen.



## Het desinfecteren van uw Vicair XXtra O2

**Waarschuwing!** In het geval van verontreiniging met lichaamsvloeistoffen of voordat dit product door een ander persoon gebruikt wordt, moet het product gedesinfecteerd worden om kruisbesmetting te voorkomen.

Reinig het kussen en de kussenhoes zoals hierboven beschreven. Gebruik bij voorkeur een antibacterieel middel. Spuit na het wassen een desinfecterend middel op het kussen en de kussenhoes. Buig de compartimenten naar buiten, zodat het middel goed in de spleten komt.

## **GARANTIE**

---

Ga naar [www.vicair.com](http://www.vicair.com) voor volledige informatie over garantieprocedures en -voorwaarden.

Vicair B.V. biedt een beperkte garantie op productie- en materiaalfouten, onder voorwaarde dat het product op normale wijze is gebruikt. Elke schade die ontstaat door abnormaal gebruik, onjuist hanteren, reinigen of nalatigheid, valt niet onder deze garantie.

### **Garantieperiode**

Vanaf originele aanschafdatum: 24 maanden.  
De SmartCells in dit Vicair O2 kussen hebben een levenslange garantieperiode.

Indien er binnen bovengenoemde garantieperiode productie- of materiaalfouten optreden, zal Vicair B.V. – naar eigen inzicht en goedgevoelen – het product kosteloos repareren dan wel vervangen.

De kussenhoes valt buiten de garantie.

De garantie beperkt zich tot het repareren of vervangen van het product.

In geen geval zullen de garantiekosten eventuele gevolgschade dekken of kosten van de verkochte non-conforme producten overstijgen.

---

### **Heeft u vragen?**

Neem contact op met Vicair B.V. via [info@vicair.com](mailto:info@vicair.com) of neem contact op met de Vicair distributeur in uw land.

Lieber Kunde,

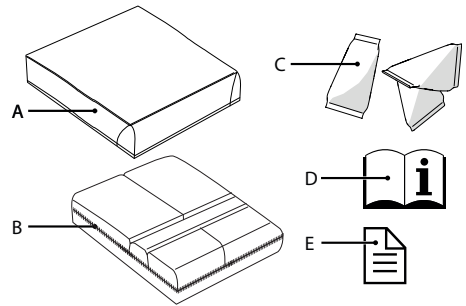
Vielen Dank, dass Sie sich für ein Vicair® Produkt entschieden haben. Wir sind uns sicher, dass Sie von der einfachen Anwendung, der Zuverlässigkeit und den hervorragenden Eigenschaften überzeugt sein werden. Wenn Sie Ihr Produkt gleich nutzen möchten, können Sie die dem Kissen beiliegende Kurzanleitung benutzen. Sie sollten sich jedoch vor der Verwendung zusätzlich mit dieser Gebrauchsanweisung vertraut machen. Bewahren Sie die Kurzanleitung und diese Gebrauchsanweisung zum späteren Nachschlagen auf.

Für weitere Informationen oder um eine Gebrauchsanweisungen zu bestellen bzw. nachzubestellen, kontaktieren Sie bitte die Handelsvertretung in Ihrem Land. Informationen zu Händlern und Niederlassungen finden Sie auf [vicair.com](http://vicair.com).

## EINLEITUNG

Das Vicair XXtra O2 ist ein großes Rollstuhlsitzkissen, das übergewichtigen Personen mit hohem Risiko einer Bildung von Druckgeschwüren ein besonders hohes Maß an Hautschutz bietet. Es bietet Sitzkomfort und eine stabile Stütze für den Körper, um die Körperhaltung zu verbessern und Druckgeschwüre zu vermeiden. Es ist außerdem eine hervorragende Ergänzung zu einem Dekubitus-Behandlungsplan (Stufe I–IV). Das Vicair XXtra O2 Kissen ist maschinenwaschbar, die SmartCells müssen dazu nicht herausgenommen werden!

## HAUPTBESTANDTEILE



- A** Kissenbezug
- B** Kissen
- C** SmartCells™, in 5 Kammern
- D** Gebrauchsanweisung
- E** Kurzanleitung (Quick Installation Guide)

## ALLGEMEINE PRODUKTDATEN

Name des Produkts:	Vicair XXtra O2
Hergestellt von:	Vicair B.V., Niederlande
Garantie:	24 Monate
Gewicht (ohne Bezug):	Kleinste Größe: 0,5 kg / 1,1 lbs Mittlere Größe: 0,8 kg / 1,8 lbs Größte Größe: 1 kg / 2,2 lbs
Verfügbare Größen:	Beachten Sie die Tabelle am Ende der Gebrauchsanweisung
Verwendete Materialien:	Komplett latexfrei
Kissen:	Oberseite aus Polyestergewebe mit Polyurethan- Beschichtung, Unterseite aus Polyesternetzgewebe
Füllung:	Luftgefüllte SmartCells mit reibungsarmer Beschichtung

O2 Top Cover Kissenbezug: Oberseite: Polyesterstrickgewebe. Untere Einfassung: Polyestergewebe mit rutschhemmender PU-Beschichtung.

#### **Optional erhältliche Kissenbezüge:**

Comfair Cover Kissenbezug: Oberseite: Polyesterstrickgewebe. Seiten: 3D-Netzgewebe aus Polyester. Unterseite: Polyestergewebe mit rutschhemmender PU-Beschichtung.  
Incotec Cover: Oberseite: Polyesterstrickgewebe, beschichtet mit flüssigkeitsabweisendem, atmungsaktivem Polyurethan. Unterseite: Polyestergewebe mit rutschhemmender PU-Beschichtung.

Alle Bezüge: Maschinenwaschbar. Die Bezüge entsprechen EN1021-1, 1021-2 und CAL117.

## **VORSICHTSMASSNAHMEN UND SICHERHEITSHINWEISE**

---

Ein Vicair Rollstuhlsitzkissen darf nur als Rollstuhlsitzkissen verwendet werden. Jede Zweckentfremdung dieses Produktes gilt als missbräuchliche Verwendung. Vicair B.V. übernimmt keine Verantwortung für Schäden, die durch missbräuchliche oder unsachgemäße Nutzung oder Fahrlässigkeit verursacht wurden. Lesen Sie diese Gebrauchsanweisung vollständig und vergewissern Sie sich, dass Sie alle Angaben verstanden haben.

**Achtung!** Vicair B.V. empfiehlt, das Vicair XXtra O2 Kissen unter direkter Aufsicht eines Therapeuten oder Fachhändlers anzupassen.

**Achtung!** Ihr Steißbein und Ihre Sitzbeinknochen dürfen den Boden des Kissens nicht berühren. Führen Sie bei der ersten Benutzung und nach jeder Füllgradveränderung eine Durchsitzkontrolle durch.

**Achtung!** Überprüfen Sie Ihre Haut regelmäßig auf Rötungen, vor allem in den ersten Tagen.

Falls Hautrötungen auftreten, die nach 15 Minuten nicht wieder abklingen, wenden Sie sich bitte an Ihren Therapeuten oder Fachhändler.

**Achtung!** Vicair B.V. empfiehlt Ihnen, den Füllgrad unter direkter Aufsicht eines Therapeuten oder Fachhändlers anzupassen.

**Achtung!** Aktuell sind keine Testdaten zur sicheren Nutzung von Vicair Rollstuhlkissen in motorisierten Fahrzeugen verfügbar. Deshalb können wir die Nutzung des Rollstuhlkissens in motorisierten Fahrzeugen nicht empfehlen.

**Achtung!** Falls das Kissen durch Körperausscheidungen verschmutzt oder an einen anderen Benutzer weitergegeben wird, muss es desinfiziert werden, um Kreuzkontamination zu verhindern.

**Achtung!** Überprüfen Sie das Produkt alle drei Monate auf Verschleiß und defekte Zellen. Im Fall einer schweren Beschädigung oder einer größeren Anzahl defekter Zellen benutzen Sie das Kissen nicht weiter. Wenden Sie sich an Ihren Fachhändler.

**Vorsicht!** Verwenden bzw. lagern Sie das Produkt nicht in der Nähe offener Flammen oder einer Wärmequelle mit hohen Temperaturen.

**Vorsicht!** Reinigen Sie das Kissen nicht mit heißem Dampf oder Hochdruck. Das Produkt hält übermäßiger Hitze oder hohem Druck nicht stand. Wird die Reinigungsanleitung nicht befolgt, kann es sein, dass das Produkt und/oder der Bezug deutlich schneller altern.

**Vorsicht!** Verwenden Sie keine aggressiven oder scheuernden Reinigungsmittel oder scharfen Gegenstände zur Reinigung des Kissens.

**Vorsicht!** Achten Sie darauf, dass die Oberseite des Vicair O2 Kissens nicht am Glas der Waschmaschinentür anliegt.

**Vorsicht!** Achten Sie darauf, dass das Kissen nicht in die Radspeichen gelangt.

## ANPASSUNG

---

**Achtung!** Vicair B.V. empfiehlt, das Vicair XXtra O2 Kissen unter direkter Aufsicht eines Therapeuten oder Fachhändlers anzupassen.

**Vorsicht!** Achten Sie darauf, dass das Kissen nicht in die Radspeichen gelangt.

**Hinweis!** Verwenden Sie das Kissen nur mit Bezug.

**Hinweis!** Achten Sie darauf, dass der Sitz des Rollstuhls sauber und fettfrei ist.

**Tipp:** Wenn Sie das Klettband nicht verwenden möchten, können Sie die Klettstreifen abziehen. Beachten Sie bitte, dass sich die an der Unterseite des Kissens und/oder am Kissenbezug befestigten Klettstreifen nicht entfernen lassen.

### **Befolgen Sie die folgenden Schritte, wenn Sie den O2 Top Cover Kissenbezug nutzen**

Diese Schritte entsprechen den Abbildungen 1-6 in der Kurzanleitung:

- Kontrollieren Sie die Größe des Kissens. Die Breite (X) des Kissens sollte mit der Breite der Rollstuhlsitzfläche übereinstimmen. Falls das Kissen seitlich von Armlehnen oder Seitenteilen begrenzt wird, darf es bis zu 2,5 cm (1") breiter sein. Die Tiefe (Y) des Kissens sollte mit der Länge der Rollstuhlsitzfläche übereinstimmen.
- Überprüfen Sie, ob die Größe des Bezugs mit der Größe des Kissens übereinstimmt.
- Entfernen Sie den Schutzstreifen von den selbstklebenden Klettbandern an der Unterseite des Kissens.
- Fixieren Sie das Kissen mit kräftigem Druck am Rollstuhl.
- Beziehen Sie das Kissen mit dem O2 Top Cover Kissenbezug.
- Ziehen Sie die Schlaufe an der Rückseite des Kissens durch das "Knopfloch" im hinteren Teil des Bezugs.

- Setzen Sie sich einige Minuten auf das Kissen, damit es sich Ihrer Körperform anpassen kann.
- Verstellen Sie gegebenenfalls die Fußstütze(n).

### **Optionale Kissenbezüge**

Führen Sie die folgenden Schritte aus, wenn Sie den Comfair Cover oder Incotec Cover Kissenbezug verwenden.

- Kontrollieren Sie die Größe des Kissens. Die Breite (X) des Kissens sollte mit der Breite der Rollstuhlsitzfläche übereinstimmen. Falls das Kissen seitlich von Armlehnen oder Seitenteilen begrenzt wird, darf es bis zu 2,5 cm (1") breiter sein. Die Tiefe (Y) des Kissens sollte mit der Länge der Rollstuhlsitzfläche übereinstimmen.
- Überprüfen Sie, ob die Größe des Bezugs mit der Größe des Kissens übereinstimmt.
- Ziehen Sie die Klettstreifen von der Unterseite des Kissens ab. Beachten Sie bitte, dass sich die an der Unterseite des Kissens befestigten Klettstreifen nicht entfernen lassen.
- Beziehen Sie das Kissen mit dem gewünschten Bezug.
- Ziehen Sie nun die Schlaufe durch die Öffnung im Bezug.
- Schließen Sie den Reißverschluss. Achten Sie dabei darauf, dass Sie das Kissen nicht beschädigen.
- Entfernen Sie den Schutzstreifen von den selbstklebenden Klettbandern am Kissenbezug.
- Fixieren Sie das Kissen mit kräftigem Druck am Rollstuhl.
- Setzen Sie sich einige Minuten auf das Kissen, damit es sich Ihrer Körperform anpassen kann.
- Verstellen Sie gegebenenfalls die Fußstütze(n).

### **Durchsitzkontrolle:**

Abbildung 7 – Kurzanleitung

**Achtung!** Ihr Steißbein und Ihre

Sitzbeinknochen dürfen den Boden des Kissens nicht berühren. Führen Sie bei der ersten Benutzung und nach jeder Füllgradveränderung eine Durchsitzkontrolle durch.

**Achtung!** Vicair B.V. empfiehlt Ihnen, den Füllgrad unter direkter Aufsicht eines Therapeuten oder Fachhändlers anzupassen.

- Nachdem Sie ca. 5 Minuten auf dem Kissen gesessen sind, kontrollieren Sie, ob Sie durchsitzen.
- Lassen Sie Ihren Therapeuten oder Fachhändler eine Hand zwischen Ihr Gesäß und das Vicair Kissen schieben, während Sie sich nach vorne beugen.
- Bitten Sie Ihren Therapeuten oder Fachhändler zu überprüfen, ob die bei Ihnen am tiefsten liegenden, vorstehenden Knochen von mindestens 2,5 cm / 1" hohen SmartCells™ gestützt werden. Das verhindert, dass diese den Sitz des Rollstuhls berühren.
- Verwenden Sie das Kissen nicht, falls Sie durchsitzen. In den meisten Fällen verschafft eine Anpassung des Füllgrads der Kammern Abhilfe.

## **VERWENDUNG**

---

### **Kontrolle auf Hautrötungen**

Abbildung 8 – Kurzanleitung

**Achtung!** Überprüfen Sie Ihre Haut regelmäßig auf Rötungen, vor allem in den ersten Tagen. Falls Hautrötungen auftreten, die nach 15 Minuten nicht wieder abklingen, wenden Sie sich bitte an Ihren Therapeuten oder Fachhändler.

### **Anpassung des Füllgrads**

**Achtung!** Vicair B.V. empfiehlt Ihnen, den

Füllgrad unter direkter Aufsicht eines Therapeuten oder Fachhändlers anzupassen.

### **Gebrauchsfertiges Produkt**

Das Vicair Produkt ist sofort einsatzbereit. Jedes Kissen weist abhängig von seiner Größe und dem Modell einen individuellen Füllgrad auf und gleicht automatisch kleine Beckenschiefstände aus. Allerdings kann der Füllgrad – sollte dies zur Stütze von stärkeren Asymmetrien notwendig sein – durch Entnehmen oder Hinzufügen von SmartCells aus den/in die verschiedenen Kammern individuell angepasst werden. Angaben zum werksseitigen Füllgrad finden Sie auf dem am Kissen angebrachten Label.

### **Bedingungen für die Verwendung und Lagerung des Kissens**

**Vorsicht!** Verwenden bzw. lagern Sie das Produkt nicht in der Nähe offener Flammen oder einer Wärmequelle mit hohen Temperaturen.

- **Benutzergewicht:**

Minimum: 100 kg/ 220 lbs

Maximum: 500 kg/ 1102

- **Temperatur:**

Minimum: -20 °C / 4 °F,

Maximum: 55 °C / 131 °F

- **Benutzung in großen Höhen**

**Hinweis!** Vicair B.V. empfiehlt, das Kissen nicht in Höhen über 2400 m (8000 ft) über dem Meeresspiegel bzw. 50 m (164 ft) unter dem Meeresspiegel zu benutzen. Da jede SmartCell mit Luft gefüllt ist, kann sich das Kissen anders verhalten, wenn es in großen Höhen oder im Flugzeug verwendet wird. Unter diesen Umständen kann die Härte des Sitzkissens durch die Entnahme einiger Zellen aus jeder Kammer angepasst werden.

- **Luftfeuchtigkeit:**

Minimum: 0 %, Maximum 100 %

### **Tägliches Aufschütteln**

Vicair B.V. empfiehlt Ihnen, das Kissen jeden Tag vor der Verwendung aufzuschütteln.

### **Verwendung von Vicair Sitzkissen in motorisierten Fahrzeugen**

**Achtung!** Aktuell sind keine Testdaten zur sicheren Nutzung von Vicair Rollstuhlkissen in motorisierten Fahrzeugen verfügbar. Deshalb können wir die Nutzung des Rollstuhlkissens in motorisierten Fahrzeugen nicht empfehlen. Als Alternative zu Ihrem Vicair Rollstuhlkissen können Sie den Vicair AllRounder O2 benutzen (der am Körper des Benutzers befestigt wird), falls Sie während der Fahrt zusätzlichen Schutz benötigen.

### **Wiederverwendbar - Weitergabe des Produkts an andere Benutzer**

Dieses Produkt ist für eine mehrfache Verwendung geeignet. Wie oft es verwendet werden kann, hängt davon ab, wie häufig und auf welche Weise das Produkt verwendet wird.

Das Produkt muss gründlich gereinigt und desinfiziert werden, bevor es von einer anderen Person benutzt wird. Eine entsprechende Anleitung finden Sie im Kapitel „Pflege und Reinigung“.

**Hinweis!** Stellen Sie sicher, dass das Kissen korrekt an die andere Person angepasst ist.

### **Wechseln des Außenbezugs**

Bei normaler Benutzung empfiehlt Vicair B.V., den Kissenbezug einmal jährlich zu wechseln. Ersatzbezüge sind separat erhältlich.

### **Entsorgung**

Die Entsorgung und das Recycling von verwendeten Produkten sowie der Verpackung

muss den geltenden örtlichen Vorschriften genügen. Stellen Sie sicher, dass das Produkt vor der Entsorgung gereinigt wird, um jegliches Kontaminierungsrisiko zu vermeiden.

## **PFLEGE UND REINIGUNG**

**Achtung!** Überprüfen Sie das Produkt alle drei Monate auf Verschleiß und defekte Zellen. Im Fall einer schweren Beschädigung oder einer größeren Anzahl defekter Zellen benutzen Sie das Kissen nicht weiter. Wenden Sie sich an Ihren Fachhändler.

**Vorsicht!** Reinigen Sie das Kissen nicht mit heißem Dampf oder Hochdruck. Es hält übermäßiger Hitze oder hohem Druck nicht stand. Wird die Reinigungsanleitung nicht befolgt, kann es sein, dass das Produkt deutlich schneller altert.

**Vorsicht!** Verwenden Sie keine aggressiven oder scheuernden Reinigungsmittel oder scharfen Gegenstände zur Reinigung des Kissens.

**Vorsicht!** Achten Sie darauf, dass die Oberseite des Vicair O2 Kissens nicht am Glas der Waschmaschinentür anliegt.

### **Reinigung des Vicair XXtra O2**

- **Reinigung des Vicair XXtra O2 Kissenbezugs**

Der Kissenbezug ist maschinenwaschbar. Befolgen Sie die Waschanleitung auf dem Label an der Innenseite des Bezugs. (60 °C = 140 °F)



- **Reinigung des Vicair XXtra O2 Kissens**

Ihr Vicair O2 Kissen ist bei 60 °C/ 140 °F im Schonwaschgang mit etwas mildem Waschmittel maschinenwaschbar. Sie müssen die SmartCells nicht entnehmen, bevor Sie das Kissen in die Waschmaschine geben. Achten Sie darauf, dass die Oberseite des Kissens nicht gegen das Glas der Waschmaschinentür gedrückt wird. Beladen

Sie die Waschmaschine höchstens bis zur Hälfte der maximalen Ladung. Die Schleuderdrehzahl sollte verringert werden. Wenn Sie eine Waschmaschine mit Rührwerk verwenden, achten Sie darauf, dass sich das Kissen frei in der Trommel bewegen kann. Verwenden Sie keine Chlorbleiche und lassen Sie das Kissen nicht chemisch reinigen! Trocknen Sie Ihr Vicair O2 Kissen nicht im Wäschetrockner, sondern lassen Sie es lufttrocknen. Sie können Ihr Vicair O2 Kissen zum Trocknen an der Schlaufe aufhängen.



### Desinfizierung Ihres Vicair XXtra O2

**Achtung!** Falls das Kissen durch Körperausscheidungen verschmutzt oder an einen anderen Benutzer weitergegeben wird, muss es desinfiziert werden, um Kreuzkontamination zu verhindern. Reinigen Sie das Kissen und den Bezug wie oben beschrieben. Verwenden Sie vorzugsweise ein antibakterielles Waschmittel. Sprühen Sie Ihr Kissen und den Bezug nach der Reinigung mit einem Desinfektionsmittel ein. Biegen Sie die Kammern nach außen, um sicherzugehen, dass das Spray auch in die Zwischenräume gelangt.

## GARANTIE

---

Ausführliche Informationen zu den üblichen Garantieverfahren sowie den allgemeinen Geschäftsbedingungen erhalten Sie auf [www.vicair.com](http://www.vicair.com).

Vicair B.V. bietet eine eingeschränkte Garantie auf Herstellungs- und Materialfehler, vorausgesetzt das Produkt wurde normal genutzt. Beschädigungen durch unsachgemäße Nutzung, Handhabung, Reinigung oder Fahrlässigkeit sind von der Garantie ausgeschlossen.

### Garantiezeitraum

Ab dem Kaufdatum: 24 Monate.

Für die in diesem Vicair O2 Kissen enthaltenen SmartCells gilt eine lebenslange Garantie.

Sollte innerhalb des Garantiezeitraums ein Herstellungs- oder Materialfehler auftreten, wird Vicair B.V. – nach eigenem Ermessen – das Produkt kostenfrei reparieren oder ersetzen. Der Kissenbezug ist von der Garantie ausgeschlossen.

Im Garantiefall besteht lediglich Anspruch auf eine Reparatur oder einen Austausch des Produkts.

Der Garantieanspruch schließt in keinem Fall Entschädigungen für Folgeschäden oder Kosten ein, die den Wert der verkauften nicht-konformen Ware übersteigen.

---

### Haben Sie noch Fragen?

Kontaktieren Sie Vicair B.V. unter [info@vicair.com](mailto:info@vicair.com) oder wenden Sie sich an den Vicair Händler in Ihrem Land.

Cher client,

Merci d'avoir choisi un produit Vicair®. Nous sommes certains que vous apprécierez la simplicité, la fiabilité et l'effet fantastique de ce produit. Pour une installation rapide, vous pouvez utiliser le guide d'installation rapide fourni avec votre coussin. Veuillez lire et comprendre ce manuel de l'utilisateur avant utilisation. Conservez le guide d'installation rapide et le présent manuel pour référence ultérieure.

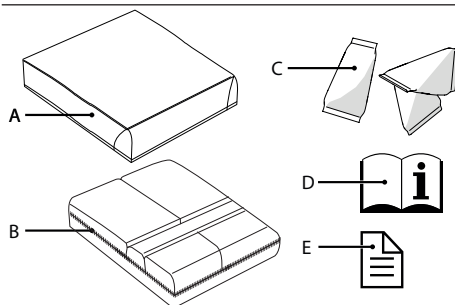
Pour plus d'informations ou pour (re) commander des manuels, contactez le distributeur de votre pays.

Rendez-vous sur [www.vicair.com](http://www.vicair.com) pour des informations sur le distributeur.

## INTRODUCTION

Le Vicair XXtra O2 est un coussin grande taille pour fauteuil roulant. Il offre un très haut niveau de protection de la peau pour les personnes fortes à haut risque de développement d'escarres. Il permet d'améliorer la posture du corps afin de prévenir l'apparition d'escarres tout en offrant une assise stable et confortable. C'est aussi un excellent complément à intégrer dans un protocole de soin d'escarres (stades I-IV). Le coussin Vicair XXtra O2 est lavable en machine sans enlever les SmartCells !

## COMPOSANTS PRINCIPAUX



- A** Housse de coussin
- B** Coussin
- C** SmartCells™, placées dans 5 compartiments
- D** Manuel de l'utilisateur
- E** Guide d'installation rapide (Quick Installation Guide)

## SPÉCIFICATIONS PRODUIT GÉNÉRALES

Nom du produit :	Vicair XXtra O2
Fabriqué par :	Vicair B.V., Pays-Bas
Garantie :	24 mois
Poids (sans housse) :	Plus petite taille : 0,5 kg / 1,1 lbs Moyenne taille : 0,8 kg / 1,8 lbs Plus grand taille : 1 kg / 2,2 lbs
Tailles disponibles :	Voir la liste à l'arrière du manuel.
Matériaux utilisés :	Sans latex
Coussin :	Tissu polyester avec revêtement polyuréthane, avec un fond en tissu maille polyester
Remplissage :	SmartCells remplies d'air avec revêtement faible friction
Housse de coussin O2 Top Cover :	
Haut :	Tissu polyester tricoté.
Bord inférieur :	Tissu polyester avec revêtement anti-dérapant en polyuréthane.

### Housses de coussin alternatives :

Comfair Cover : Haut : Tissu polyester tricoté.  
Côtés : Tissu 3D polyester maillé. Bas : Tissu polyester avec revêtement anti-dérapant en polyuréthane.

Incotec Cover: Haut : Tissu polyester tricoté, enduit de polyuréthane perméable à l'air et résistant aux fluides. Bas : Tissu polyester avec revêtement anti-dérapant en polyuréthane.

Toutes les housses sont lavables en machine et conformes aux normes EN1021-1, 1021-2 et CAL117.

## MISES EN GARDE ET CONSIGNES DE SÉCURITÉ

---

Un coussin d'assise pour fauteuil roulant Vicair ne peut être utilisé que comme coussin d'assise de fauteuil roulant. L'utilisation de ce produit de toute autre manière est considérée comme abusive. Vicair B.V. ne peut être tenu responsable de dommages causés par une mauvaise utilisation, une utilisation incorrecte ou une négligence. Assurez-vous de lire et comprendre intégralement ce manuel.

**Avertissement !** Vicair B.V. recommande d'installer le Vicair XXtra O2 sous la supervision directe d'un thérapeute ou d'un conseiller technique.

**Avertissement !** Votre coccyx et vos os pelviens ne doivent pas toucher le fond du coussin. Une vérification pour éviter tout talonnement doit être effectuée lors de la première utilisation et après ajustements du remplissage du coussin.

**Avertissement !** Examinez votre peau régulièrement pour voir s'il y a des rougeurs, surtout durant les premiers jours. Si des rougeurs apparaissent et ne disparaissent pas sous 15 minutes, consultez votre thérapeute ou conseiller technique.

**Avertissement !** Vicair B.V. recommande d'ajuster le niveau de remplissage sous la supervision directe de votre thérapeute ou conseiller technique.

**Avertissement !** Aucune donnée de test n'est actuellement disponible sur l'utilisation sûre des coussins pour fauteuils roulants Vicair dans des véhicules automobiles. Par conséquent, nous vous invitons à ne pas utiliser le coussin pour fauteuil roulant dans des véhicules automobiles.

**Avertissement !** En cas de salissure avec des liquides corporels, et avant de le transférer à un autre utilisateur, le coussin doit être désinfecté pour éviter toute contamination croisée.

**Avertissement !** Sous trois mois, vérifier l'usure et s'il y a d'éventuelles cellules dégonflées. En cas de dommage grave ou de nombre important de cellules dégonflées, interrompre l'utilisation du produit. Consultez votre revendeur.

**Attention !** Ne pas utiliser le produit ou le laisser à proximité d'une flamme ou d'une source de chaleur à haute température.

**Attention !** Ne pas nettoyer le produit à la vapeur ou à l'autoclave. Le produit ne peut pas résister à une chaleur ou une pression excessive. Lorsque les instructions de nettoyage données ne sont pas suivies, il est très probable que le produit et/ou la housse du produit vieillisse plus rapidement.

**Attention !** Ne pas utiliser de nettoyeurs agressifs ou abrasifs ou des objets pointus pour nettoyer le coussin.

**Attention !** Ne pas placer le dessus du coussin Vicair O2 contre le verre de la porte du lave-linge.

**Attention !** Assurez-vous que le coussin ne puisse pas interférer avec les rayons de la roue.

## INSTALLATION

---

**Avertissement !** Vicair B.V. recommande d'installer le Vicair XXtra O2 sous la supervision directe d'un thérapeute ou d'un conseiller technique.

**Attention !** Assurez-vous que le coussin ne puisse pas interférer avec les rayons de la roue.

**Remarque !** Toujours utiliser le coussin avec une housse.

**Remarque !** Assurez-vous que le siège du fauteuil roulant soit propre et dégraissé.

**Conseil :** Si vous préférez ne pas utiliser le Velcro, vous pouvez enlever les bandes Velcro. Notez que les bandes situées sous le coussin et/ou sur la housse du coussin ne peuvent pas être enlevées.

### **Effectuez les étapes suivantes lors de l'utilisation de la housse de coussin O2 Top Cover**

Ces étapes correspondent aux images d'installation 1 à 6 du Guide d'Installation Rapide :

- Vérifiez la taille du coussin. La largeur (X) du coussin et celle du siège doivent correspondre. Si le coussin repose sur des accoudoirs ou des protections latérales, la largeur peut aller jusqu'à 2,5 cm (1") de plus. La profondeur (Y) du coussin et celle du siège doivent correspondre.
- Vérifiez si la taille de la housse correspond à la taille du coussin.
- Enlevez le ruban de protection des bandes auto-adhésives Velcro fixées sur la partie inférieure du coussin.
- Posez le coussin en appuyant fermement.
- Placez la housse de coussin O2 Top Cover sur le dessus du coussin.
- Passer la boucle située à l'arrière du coussin à travers l'oeillet situé à l'arrière de la housse.
- Asseyez-vous sur le coussin pendant quelques minutes pour permettre au coussin de s'adapter à votre morphologie.
- Si nécessaire, ajustez le(s) repose-pieds.

### **Housses de coussin alternatives**

Effectuez les opérations suivantes lors de l'utilisation des Comfair Cover ou Incotec Cover.

- Vérifiez la taille du coussin. La largeur (X) du coussin et celle du siège doivent correspondre. Si le coussin repose sur des accoudoirs ou des protections latérales, la largeur peut aller jusqu'à 2,5 cm (1") de plus. La profondeur (Y) du coussin et celle du siège doivent correspondre.
- Vérifiez si la taille de la housse correspond à la taille du coussin.
- Enlevez les bandes Velcro du bas du coussin. Notez que les bandes situées sous le coussin ne peuvent pas être enlevées.
- Insérez le coussin dans la housse.
- Passez la boucle à travers l'oeillet de la housse.
- Fermez la fermeture à glissière. Assurez-vous de ne pas endommager le coussin.
- Enlevez le ruban de protection des bandes auto-adhésives Velcro fixées à la housse du coussin.
- Posez le coussin en appuyant fermement.
- Asseyez-vous sur le coussin pendant quelques minutes pour permettre au coussin de s'adapter à la votre morphologie.
- Si nécessaire, ajustez le(s) repose-pieds.

### **Vérification du talonnement :**

Image 7 - Guide d'Installation Rapide

**Avertissement !** Votre coccyx et vos os pelviens ne doivent pas toucher le fond du coussin. Une vérification pour éviter tout talonnement doit être effectuée lors de la première utilisation et après ajustements du remplissage du coussin.

**Avertissement !** Vicair B.V. recommande d'ajuster le niveau de remplissage sous la supervision directe de votre thérapeute ou conseiller technique.

- Vérifiez le risque talonnement après être resté assis sur le coussin pendant environ 5 minutes.

- Laissez votre thérapeute ou conseiller technique glisser une main entre votre postérieur et le coussin Vicair tout en vous penchant en avant.
- Demandez à votre thérapeute ou conseiller technique de vérifier si votre postérieur appuie sur une épaisseur d'au moins 2,5 cm / 1" de SmartCells™. Cela empêche votre fessier de toucher le siège du fauteuil roulant.
- Ne pas utiliser le coussin si vous constatez un talonnement. Dans la plupart des cas, l'ajustement du remplissage des compartiments résout le problème.

## UTILISATION

---

### Vérifier si des rougeurs apparaissent sur la peau

Image 8 - Guide d'Installation Rapide

**Avertissement !** Examinez votre peau régulièrement pour voir s'il y a des rougeurs, surtout durant les premiers jours. Si des rougeurs apparaissent et ne disparaissent pas sous 15 minutes, consultez votre thérapeute ou conseiller technique.

### Ajustement du niveau de remplissage

**Avertissement !** Vicair B.V. recommande d'ajuster le niveau de remplissage sous la supervision directe de votre thérapeute ou conseiller technique.

### Prêt à l'emploi

Ce produit Vicair est prêt à l'emploi. Il dispose d'un taux de remplissage unique, selon la taille et le modèle qui compense automatiquement de petites obliquités. Cependant, si cela s'avère nécessaire de compenser une forte obliquité, le niveau de remplissage peut être ajusté en enlevant ou en ajoutant des SmartCells dans les différents compartiments. Vous pouvez trouver la configuration initiale pour le remplissage sur l'étiquette apposée sur le coussin.

## Conditions d'utilisation et de stockage

**Attention !** Ne pas utiliser le produit ou le laisser à proximité d'une flamme ou d'une source de chaleur à haute température.

- **Poids de l'utilisateur :**  
Minimum : 100 kg/ 220 lbs  
maximum : 500 kg/ 1102
- **Température :**  
Minimum : -20 °C / 4°F,  
maximum : 55 °C / 131°F
- **Usage à haute altitude !**

**Remarque !** Vicair B.V. recommande de ne pas utiliser le coussin à une altitude supérieure à 2400 m (8000 pieds) au-dessus du niveau de la mer ou inférieure à 50 m (164 pieds) en dessous du niveau de la mer. Étant donné que chaque SmartCell est remplie d'air, le coussin peut se comporter différemment lorsqu'il est utilisé à haute altitude ou dans un avion. Dans ce cas, la fermeté du coussin peut être ajustée en enlevant quelques cellules de chaque compartiment.

- **Humidité atmosphérique :**  
Minimum : 0 %, maximum : 100 %

### Redonner du gonflant quotidiennement

Vicair B.V. vous recommande de redonner du gonflant à votre Vicair coussin avant de l'utiliser au quotidien.

### Utilisation des coussins de siège Vicair dans des véhicules automobiles

**Avertissement !** Aucune donnée de test n'est actuellement disponible sur l'utilisation sûre des coussins pour fauteuils roulants Vicair dans des véhicules automobiles. Par conséquent, nous vous invitons à ne pas utiliser le coussin pour fauteuil roulant dans des véhicules automobiles. Comme alternative pour votre coussin pour fauteuil roulant Vicair, le Vicair AllRounder O2 (qui peut être attaché au corps de l'utilisateur) peut être utilisé si vous avez besoin d'une protection supplémentaire pendant le transport.

## Réutilisation - Transfert du produit à un autre utilisateur

Le produit convient pour une utilisation répétée. Le nombre de fois qu'il peut-être utilisé dépend de la fréquence et de la façon dont le produit est utilisé. Le produit doit être soigneusement nettoyé et désinfecté avant qu'une autre personne soit autorisée à l'utiliser. Voir les instructions du chapitre « Maintenance et nettoyage ».

**Remarque !** Assurez-vous que le produit soit correctement ajusté pour le nouvel utilisateur.

## Remplacement de la housse du coussin

En utilisation normale, Vicair B.V. recommande de remplacer la housse du coussin chaque année. Des housses de rechange peuvent être achetées séparément.

## Traitement des déchets

Le traitement et le recyclage des produits usages et leur emballage doivent être conformes à la législation en vigueur. Assurez-vous que le produit a été préalablement nettoyé avant de le jeter afin d'éviter tout risque de contamination.

## MAINTENANCE ET NETTOYAGE

**Avertissement !** Sous trois mois, vérifier l'usure et les éventuelles cellules dégonflées du produit. En cas de dommage grave ou de nombre important de cellules dégonflées, consultez votre revendeur.

**Attention !** Ne pas nettoyer le produit à la vapeur ou à l'autoclave. Il ne peut pas résister à une chaleur ou une pression excessive. Lorsque les instructions de nettoyage données ne sont pas suivies, il est très probable que le produit vieillisse plus rapidement.

**Attention !** Ne pas utiliser de nettoyeurs agressifs ou abrasifs ou des objets pointus pour nettoyer le coussin.

**Attention !** Ne pas placer le dessus du coussin Vicair O2 contre le verre de la porte du lave-linge.

## Nettoyage du Vicair XXtra O2

### • Nettoyage de la housse du Vicair XXtra O2

La housse du coussin peut être lavée en machine. Suivez les instructions de lavage sur l'étiquette apposée à l'intérieur de la housse. (60 °C= 140 °F)



### • Nettoyage du coussin Vicair XXtra O2

Votre coussin Vicair O2 peut être lavé en machine à 60°C/140°F en utilisant un cycle anti-froissage et une lessive douce. Vous n'avez pas besoin d'enlever les SmartCells avant de mettre le coussin dans le lave-linge. Assurez-vous que le dessus du coussin ne soit pas placé contre le verre de la porte du lave-linge. Ne pas charger la machine avec plus de la moitié de son poids de charge maximal. La vitesse d'essorage doit être réduite. Lors de l'utilisation d'une machine avec agitateur, assurez-vous que le coussin puisse bouger librement dans le tambour. Ne pas utiliser d'eau de javel et ne pas nettoyer à sec ! Ne pas sécher votre coussin Vicair O2 au séchage, mais laissez-le sécher à l'air. Vous pouvez utiliser le harnais pour accrocher votre coussin Vicair O2 afin qu'il sèche.



## Désinfection de votre Vicair XXtra O2

**Avertissement !** En cas de salissure avec des liquides corporels, et avant de le transférer à un autre utilisateur, le coussin doit être désinfecté pour éviter toute contamination croisée. Nettoyez le coussin et la housse comme indiqué ci-dessus. Utilisez de préférence un détergent antibactérien. Après le nettoyage, pulvérisez un désinfectant sur votre coussin et la housse. Pliez les compartiments vers l'extérieur pour vous assurer que la pulvérisation pénètre dans les interstices.

## GARANTIE

---

Pour obtenir les informations complètes sur les processus et conditions de garantie, veuillez consulter notre site [www.vicair.com](http://www.vicair.com).

Vicair B.V. offre une garantie limitée contre les défauts de fabrication et de matériaux à condition que le produit ait fait l'objet d'une utilisation normale. Tout dommage résultant d'une utilisation anormale ou causé par une mauvaise manipulation, un problème de nettoyage ou une négligence, est exclu de cette garantie.

### **Période de garantie**

À partir de la date d'achat d'origine : 24 mois.

Les SmartCells de ce coussin Vicair O2 bénéficient d'une garantie à vie.

Si un défaut de matériaux ou de fabrication se produit dans la période de garantie susmentionnée, Vicair B.V. réparera ou remplacera le produit gratuitement à sa discrétion. La housse du coussin est exclue de cette garantie.

Les recours en cas de violation des garanties expresses aux présentes sont limités à la réparation ou au remplacement du produit. En aucun cas des dommages-intérêts pour violation de toute garantie n'incluent des dommages indirects ou ne dépassent le coût des marchandises non conformes vendues.

---

### **Vous avez des questions ?**

Contactez Vicair B.V. via [info@vicair.com](mailto:info@vicair.com) ou contactez le distributeur Vicair de votre pays.

## DA BRUGERVEJLEDNING TIL VICAIR® XXTRA O2

Kære kunde,

Tak for dit valg af et Vicair®-produkt. Vi er sikre på, at du vil sætte pris på enkelheden, pålideligheden og den fantastiske effekt. Du kan bruge vejledningen til hurtig installation, der fulgte med din pude. Derudover bør du læse og forstå denne brugervejledning inden brug. Gem både hurtig-installationsvejledningen og denne vejledning til fremtidig brug.

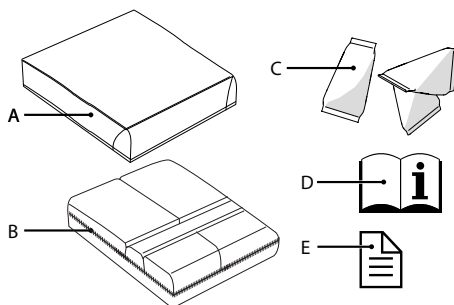
Kontakt forhandleren i dit land for yderligere oplysninger eller for at (gen-)bestille vejledninger.

Gå ind på [vicair.com](http://vicair.com) for oplysninger om forhandlere.

### INTRODUKTION

Vicair XXtra O2 er en kørestolspude i stor størrelse, der giver en meget høj grad af hudbeskyttelse for bariatriske personer med stor risiko for at udvikle tryksår. Den bruges til at forbedre kropsholdningen for at forhindre tryksår og give komfort og stabil kropsstøtte. Den er også et højeffektivt supplement til en behandlingsplan for tryksår (fase I-IV). Vicair XXtra O2-puden kan vaskes i vaskemaskine uden at fjerne SmartCells.

### HOVEDBESTANDDELE



- A Pudebetræk
- B Pude
- C SmartCells™, placeret i 5 inddelingsrum
- D Brugervejledning
- E Vejledning til hurtig installation (Quick Installation Guide)

### GENERELLE PRODUKTSPECIFIKATIONER

Produkt navn:	Vicair XXtra O2
Fremstillet af:	Vicair B.V., Holland
Garanti:	24 måneder
Vægt (ekskl. betræk):	Mindste størrelse: 0,5 kg / 1,1 lbs Medium størrelse: 0,8 kg / 1,8 lbs Største størrelse: 1 kg / 2,2 lbs
Tilgængelige størrelser:	Se gitteret bagest i vejledningen
Anvendte materialer:	Alle fri for latex
Pude:	Top lavet af polyesterstof med polyurethan-lag, bund af polyester-netstof
Fyld:	Luftfyldte SmartCells med lavfriktionsovertræk
O2 Top Cover-pudebetræk:	Top: Strikket polyesterstof. Bundkant: Polyesterstof med skridsikkert polyurethanovertræk.

### **Alternative pudebetræk:**

Comfair Cover pudebetræk: Top: Strikket polyesterstof. Sider: Polyester 3D-netstof. Bund: Polyesterstof med skridsikkert polyurethanovertræk.

Incotec Cover pudebetræk: Top: Strikket polyesterstof, dækket med væskeafvisende og åndbar polyurethan. Bund: Polyesterstof med skridsikkert polyurethanovertræk.

Alle betræk: Kan maskinvaskes. Betræk er i overensstemmelse med EN1021-1, 1021-2 og CAL117.

## **FORANSTALTNINGER OG SIKKERHEDSANVISNINGER**

---

En Vicair-kørestolspude må kun bruges som kørestolspude. Enhver anden brug af dette produkt vil blive anset for at være misbrug. Vicair B.V. kan ikke holdes ansvarlig for skader forårsaget af misbrug, forkert brug eller forsømmelighed. Sørg for at læse og forstå denne vejledning fuldstændigt.

**Advarsel!** Vicair B.V. anbefaler, at Vicair XXtra O2 installeres under direkte overvågning af en terapeut eller teknisk rådgiver.

**Advarsel!** Dit haleben og dine hofteben bør ikke røre pudens bund. Under første brug og efter justeringer af pudefyldet bør det kontrolleres, om bunden nås.

**Advarsel!** Se regelmæssigt din hud efter for rødme, især i løbet af de første få dage. Hvis der opstår rødme, som ikke forsvinder efter 15 minutter, bør du rådføre dig med din terapeut eller tekniske rådgiver.

**Advarsel!** Vicair B.V. anbefaler, at fyldningsgraden justeres under direkte overvågning af din terapeut eller tekniske rådgiver.

**Advarsel!** Der er p.t. ingen tilgængelige testdata om sikker brug af Vicair-kørestolspuder i motorkøretøjer. Derfor opfordrer vi dig til ikke at bruge kørestolspuden i motorkøretøjer.

**Advarsel!** Hvis produktet skulle blive snavset af kropsvæsker, og når det gives videre til en anden bruger, skal det desinficeres for at undgå smitte.

**Advarsel!** Hver tredje måned skal produktet ses efter for slid og flade celler. I tilfælde af alvorlig skade eller et stort antal flade celler må produktet ikke længere bruges. Rådfør dig med din forhandler.

**Forsigtig!** Undlad at bruge eller lade produktet ligge tæt på åben ild eller en varmekilde med høj temperatur.

**Forsigtig!** Undlad at damprense eller autoklavere produktet. Produktet kan ikke modstå ekstrem varme eller stærkt tryk. Når de angivne rengøringsanvisninger ikke følges, er det meget sandsynligt, at produktet og/eller produktets betræk ældes hurtigere.

**Forsigtig!** Brug ikke ætsende eller slibende rengøringsmidler eller skarpe genstande til at rengøre puden.

**Forsigtig!** Anbring ikke oversiden af Vicair O2-puden mod glasset i vaskemaskinens dør.

**Forsigtig!** Sørg for, at puden ikke kan komme ind i hjulgerne.

## **INSTALLATION**

---

**Advarsel!** Vicair B.V. anbefaler, at Vicair XXtra O2 installeres under direkte overvågning af en terapeut eller teknisk rådgiver.

**Forsigtig!** Sørg for, at puden ikke kan komme ind i hjulgerne.

**Bemærk!** Brug altid puden med betrækket på.

**Bemærk!** Sørg for, at kørestolsædet er rent og uden fedt.

**Tip:** Når du foretrækker ikke at bruge Velcro, kan du fjerne Velcro-strimlerne. Bemærk: Strimlerne, der er fastgjort på bunden af puden og/eller pudebetrækket, kan ikke fjernes.

## Udfør følgende, når du bruger O2 Top Cover pudebetrækket

Disse trin svarer til installationsbilleder 1-6 i vejledningen til hurtig installation:

- Se pudestørrelsen efter.  
Bredden (X) af puden og sædet bør stemme overens. Når puden hviler mod armstøtterne eller sidestykkerne, må bredden være op til 2,5 cm (1") bredere. Dybden (Y) af puden og sædet bør stemme overens.
- Se efter, om betrækkets størrelse stemmer overens med pudens størrelse.
- Fjern det beskyttende bagbeklædningsstape fra de selvklæbende Velcro-strimler, som er fastgjort til pudens bund.
- Anbring puden ved at trykke den fast.
- Anbring O2-topstykket oven på puden.
- Før stroppen på bagsiden af puden gennem 'knaphullet' på bagsiden af betrækket.
- Sid på puden i nogle få minutter, så den kan tilpasse sig din kropsform.
- Juster om nødvendigt fodstøtte(r).

## Alternative pudebetræk

Udfør følgende trin, når du bruger Comfair Cover pudebetræk eller Incotec Cover pudebetræk.

- Se pudestørrelsen efter.  
Bredden (X) af puden og sædet bør stemme overens. Når puden hviler mod armstøtterne eller sidestykkerne, må bredden være op til 2,5 cm (1") bredere. Dybden (Y) af puden og sædet bør stemme overens.
- Se efter, om betrækkets størrelse stemmer overens med pudens størrelse.
- Fjern Velcro-strimlerne fra pudens bund.  
Bemærk: Strimlerne, som er fabrikeret ind i pudens bund, kan ikke fjernes.
- Indsæt puden i betrækket.
- Før stroppen gennem øjet i betrækket.
- Luk lynlåsen. Sørg for ikke at beskadige puden.

- Fjern den beskyttende bagbeklædningsstape fra de selvklæbende Velcro-strimler, der sidder fast på pudebetrækket.
- Anbring puden ved at trykke den fast.
- Sid på puden i nogle få minutter, så den kan tilpasse sig din kropsform.
- Juster om nødvendigt fodstøtte(r).

## Kontrol, om bunden nås:

Billede 7 - Vejledning til hurtig installation

**Advarsel!** Dit haleben og dine hofteben bør ikke røre pudens bund. Under første brug og efter justeringer af pudefyldet bør det kontrolleres, om bunden nås.

**Advarsel!** Vicair B.V. anbefaler, at fyldningsgraden justeres under direkte overvågning af din terapeut eller tekniske rådgiver.

- Se efter, om bunden nås, når du har siddet på puden i ca. 5 minutter.
- Lad din terapeut eller tekniske rådgiver føre en hånd ind mellem din bagdel og Vicair-puden, mens du læner dig fremad.
- Bed din terapeut eller tekniske rådgiver om at se efter, om dine nederste knoglefremspring understøttes af mindst 2,5 cm / 1" SmartCells™. Dette forhindrer dem i at berøre kørestolsædet.
- Brug ikke puden, hvis bunden nås. I de fleste tilfælde vil det løse problemet at justere inddelingsrummenes fyldningsgrad.

## BRUG

---

### Se efter rødmen af huden

Billede 8 - Vejledning til hurtig installation

**Advarsel!** Se regelmæssigt din hud efter for rødme, især i løbet af de første få dage. Hvis der opstår rødme, som ikke forsvinder efter 15 minutter, bør du rådføre dig med din terapeut eller tekniske rådgiver.

## Justering af fyldningsgraden

**Advarsel!** Vicair B.V. anbefaler, at fyldningsgraden justeres under direkte overvågning af din terapeut eller tekniske rådgiver.

## Klar til brug

Dette Vicair-produkt er klar til brug. Det har sin egen unikke fyldningsgrad, afhængig af størrelse og model, og håndterer automatisk små skævheder. Om nødvendigt – for at understøtte mere ekstrem asymmetri – kan fyldningsgraden dog justeres ved at fjerne eller tilføje SmartCells fra/til de forskellige inddelingsrum. Du kan finde standardfyldningsgraden på mærkatet, der er fastgjort på puden.

## Betingelser for brug og opbevaring

**Forsigtig!** Undlad at bruge eller lade produktet ligge tæt på åben ild eller en varmekilde med høj temperatur.

- **Brugervægt:**  
Minimum: 100 kg/ 220 lbs,  
maksimum: 500 kg/ 1102
- **Temperatur:**  
Minimum: -20 °C / 4 °F,  
maksimum: 55 °C / 131 °F
- **Brug ved store højdegrader**  
**Bemærk!** Vicair B.V. anbefaler, at puden ikke bruges mere end 2400 m (8000 fod) over havet eller 50 m (164 fod) under havniveau. Da hver SmartCell er fyldt med luft, vil puden muligvis være påvirket, når den bruges ved store højder eller i et fly. Under sådanne forhold kan pudens hårdhed justeres ved at fjerne nogle få celler fra hvert inddelingsrum.
- **Luftfugtighed:**  
Minimum: 0 %, maksimum 100 %

## Daglig rystning

Vicair B.V. anbefaler, at din Vicair-pude rystes inden brug hver dag.

## Brug af Vicair-sædepuder i motorkøretøjer

**Advarsel!** Der er p.t. ingen tilgængelige testdata om sikker brug af Vicair-kørestolspuder i motorkøretøjer. Derfor opfordrer vi dig til ikke at bruge kørestolspuden i motorkøretøjer. Som et alternativ til din Vicair-kørestolspude kan Vicair AllRounder O2 (som kan fastgøres til brugerens krop) anvendes, hvis du har brug for ekstra beskyttelse under transport.

## Genbrug - Overdragelse af produktet til en anden bruger

Produktet er velegnet til gentagen brug. Det antal gange, det kan bruges, afhænger af hvor tit og på hvilken måde produktet anvendes. Produktet skal rengøres og desinficeres grundigt, inden en anden person må bruge det. Se kapitlet 'Vedligeholdelse og rengøring' for anvisninger.

**Bemærk!** Sørg for, at produktet er justeret korrekt til den anden person.

## Udskiftning af pudebetrækket

Under normal brug anbefaler Vicair B.V., at pudebetrækket udskiftes hvert år. Betræk til udskiftning kan købes separat.

## Bortskaffelse

Bortskaffelsen og genbrugen af brugte enheder og emballage skal overholde de gældende bestemmelser. Sørg for, at produktet bliver rengjort inden bortskaffelse, for at undgå risiko for kontaminering.

## VEDLIGEHOLDELSE OG RENGØRING

---

**Advarsel!** Hver tredje måned skal produktet ses efter for slid og flade celler. I tilfælde af alvorlig skade eller et stort antal flade celler må produktet ikke længere bruges. Rådfør dig med din forhandler.

**Forsigtig!** Undlad at damprense eller autoklavere produktet. Det kan ikke modstå

ekstrem varme eller stærkt tryk. Når de angivne rengøringsanvisninger ikke følges, er det højest sandsynligt, at produktet ældes hurtigere.

**Forsigtig!** Brug ikke ætsende eller slibende rengøringsmidler eller skarpe genstande til at rengøre puden.

**Forsigtig!** Anbring ikke oversiden af Vicair O2-puden mod glasset i vaskemaskinens dør.

## Rengøring af Vicair XXtra O2

### • Rengøring af betrækket til Vicair XXtra O2

Pudebetrækket kan vaskes i maskine. Følg vaskeanvisningerne på mærkatet, der er fastgjort på betrækkets inderside.  
(60 °C = 140 °F)



### • Rengøring af Vicair XXtra O2-puden

Din Vicair O2 pude kan vaskes i vaskemaskine ved 60°C /140 °F med et antikrøl-program og et mildt vaskemiddel. Det er ikke nødvendigt at fjerne SmartCells, inden du lægger puden i vaskemaskinen. Sørg for, at oversiden af puden ikke er placeret mod glasset i vaskemaskinens dør. Læg ikke mere end halvdelen af maskinens maksimale lastvægt i maskinen. Centrifugeringshastigheden bør reduceres. Når du bruger en maskine med omrører, skal du sørge for, at puden kan bevæge sig frit i tromlen. Brug ikke noget klorblegemiddel, og send den ikke til rensning! Læg ikke din Vicair O2-pude i tørretumbleren; lad den lufttørre. Du kan bruge stroppen til at hænge din Vicair O2-pude til tørre.



## Desinfektion af din Vicair XXtra O2

**Advarsel!** Hvis produktet skulle blive snavset af kropsvæsker, og når det gives videre til en anden bruger, skal det desinficeres for at undgå smitte. Rengør puden og betrækket som anvist ovenfor. Der bør helst bruges et antibakterielt vaskemiddel. Når den er blevet rengjort, bør du sprøjte desinficerende middel på din pude og dit betræk. Bøj inddelingsrummene udad for at sikre, at sprayen kommer ind i mellemrummene.

## GARANTI

Se [www.vicair.com](http://www.vicair.com) for udførlige oplysninger om garantiprocesser, betingelser og vilkår. Vicair B.V. tilbyder en begrænset garanti mod fejl i udførelse og materialer, såfremt produktet er blevet anvendt normalt. Enhver skade, der måtte opstå under unormal brug, eller som forårsages af forkert håndtering og rengøring eller forsømmelse, er ikke dækket af denne garanti.

### Garantiperiode

Fra den originale købsdato: 24 måneder. SmartCells i denne Vicair O2 pude har en livslang garantiperiode.

Hvis der skulle opstå en fejl i materialer eller udførelse inden for den ovennævnte garantiperiode, vil Vicair B.V. – efter eget valg – reparere eller udskifte produktet gratis. Pudebetrækket er ikke omfattet af denne garanti. Afhjælpning af brud på udtrykkelige garantier heri er begrænset til reparation eller udskiftning af produktet. Under ingen omstændigheder skal erstatning for brud på nogen som helst garanti omfatte nogen form for følgeskader eller overstige omkostningerne for mangelfulde solgte varer.

### Har du spørgsmål?

Kontakt Vicair B.V. på [info@vicair.com](mailto:info@vicair.com) eller kontakt Vicair-forhandleren i dit land.

Bästa kund,

tack för att du har valt en produkt från Vicair®. Vi är övertygade om att du kommer att uppskatta produktens enkelhet, pålitlighet och enastående egenskaper. För snabb installation av dynan kan du använda dig av den medföljande snabbinstallationsguiden (quick installation guide). Se även till att läsa och förstå denna bruksanvisning innan produkten tas i bruk. Spara både snabbinstallationsguiden (Quick Installation Guide) och denna bruksanvisning för framtida referens.

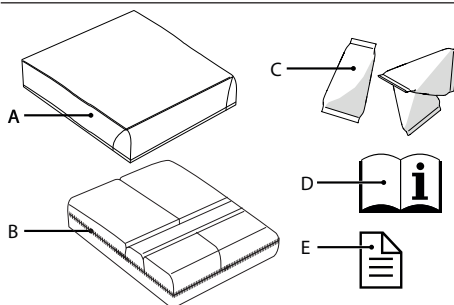
Kontakta återförsäljaren i ditt land för mer information eller beställning av bruksanvisningar.

Besök [vicair.com](http://vicair.com) för information om återförsäljare.

## INTRODUKTION

Vicair XXtra O2 er en stor pute for rullestolseter som gir svært god hudbeskyttelse for bariatriske personer som har høy risiko for å utvikle trykksår. Den er utviklet for å forbedre kroppsholdningen, forebygge trykksår og gir komfortabel og stabil støtte til kroppen. Den kan også brukes som et effektivt tillegg til en behandlingsplan for trykksår (nivå I-IV). Vicair XXtra O2-puten kan vaskes i maskin uten å fjerne SmartCells!

## HUVUDKOMPONENTER



- A** Dynöverdrag
- B** Dyna
- C** SmartCells™, plasserte i 5 separata fack
- D** Bruksanvisning
- E** Snabbinstallationsguide (Quick Installation Guide)

## ALLMÄNNA PRODUKTSPECIFIKATIONER

Produktnamn:	Vicair XXtra O2
Tillverkad av:	Vicair B.V., The Netherlands
Garanti:	24 månader
Vikt (utan överdrag):	Minsta storlek: 0,5 kg / 1,1 lbs Mellanstorlek: 0,8 kg / 1,8 lbs Största storlek: 1 kg / 2,2 lbs
Tillgängliga storlekar:	Se tabellen på bruksanvisningens baksida
Material:	endast latexfria
Dyna:	Översida gjord av polyestertyg med polyuretanbeläggning, undersida av polyesternättyg
Stopning:	Luftfyllda SmartCells med lågfriktionsyta
Dynöverdrag O2 Top Cover:	Ovansida: stickat polyestertyg. Nedre kant: polyestertyg med halkfri polyuretanbeläggning.

### **Alternativa dynöverdrag:**

Dynöverdrag Comfair Cover: Ovansida: stickat polyestertyg. Sidor: 3D-polyestertyg med nätmaskor. Undersida: polyestertyg med halkfri polyuretanbeläggning.

Dynöverdragen Incotec Cover: Ovansida: stickat polyestertyg, belagt med vätskeresistent andningsaktivt polyuretan. Undersida: polyestertyg med halkfri polyuretanbeläggning. Alla överdrag tål maskintvätt. Överdragen uppfyller kraven i EN1021-1, 1021-2 och CAL117.

## **FÖRSIKTIGHETSÅTGÄRDER OCH SÄKERHETSANVISNINGAR**

---

En Vicair-sittdyna för rullstol får endast användas som sittdyna för rullstol. All annan användning av denna produkt anses vara felaktig. Vicair B.V. kan inte hållas ansvarigt för skador som uppstår till följd av felaktig användning, icke avsedd användning eller vårdslöshet. Se till att hela denna bruksanvisning har lästs och förstås.

**Varning!** Vicair B.V. rekommenderar att Vicair XXtra O2 installeras under direkt överinseende av en terapeut eller en hjälpmedelskonsulent.

**Varning!** Svanskotan och bäckenbenet får inte vidröra dynans botten ("bottoming out").

Kontroll att så inte sker ska utföras i samband med första användningen och efter justeringar av dynans stoppning.

**Varning!** Kontrollera regelbundet huden avseende rodnad, särskilt under de första dagarna. Rådfråga ansvarig terapeut eller hjälpmedelskonsulent om rodnad som inte försvinner inom 15 minuter uppstår.

**Varning!** Vicair B.V. rekommenderar att justering av fyllnadsgraden sker under direkt överinseende av en terapeut eller en hjälpmedelskonsulent.

**Varning!** För närvarande föreligger inga testdata avseende säker användning av Vicair-rullstolsdynor i motorfordon. Av denna anledning rekommenderar vi inte användning

av rullstolsdynan i motorfordon.

**Varning!** Om produkten förorenas med kroppsvätskor eller överförs till annan brukare måste den desinficeras för att undvika korskontaminering.

**Varning!** Kontrollera produkten avseende slitage och tömda luftkuddar var tredje månad. Fortsätt inte att använda produkten om den är allvarligt skadad eller ett stort antal luftkuddar är tömda. Rådgör med din återförsäljare.

**Försiktighet!** Använd eller förvara inte produkten nära öppen eld eller värmekälla som avger hög temperatur.

**Försiktighet!** Ångrengör eller autoklavera inte produkten. Produkten tål inte stark värme eller högt tryck. Om angivna rengöringsanvisningar inte följs kommer livslängden för produkten och/eller produktens överdrag med stor sannolikhet att förkortas.

**Försiktighet!** Använd inte aggressiva eller slipande rengöringsmedel eller vassa föremål för att rengöra dynan.

**Försiktighet!** Placera inte Vicair O2-dynans ovansida mot glaset på tvättmaskinens lucka.

**Försiktighet!** Säkerställ att dynan inte kan komma i kontakt med hjulens ekrar.

## **INSTALLATION**

---

**Varning!** Vicair B.V. rekommenderar att Vicair XXtra O2 installeras under direkt överinseende av en terapeut eller en hjälpmedelskonsulent.

**Försiktighet!** Säkerställ att dynan inte kan komma i kontakt med hjulens ekrar.

**Observera!** Använd alltid dynan med överdrag. **Observera!** Säkerställ att rullstolens sits är ren och avfettad.

**Tips:** Om användning utan kardborrband föredras kan dessa avlägsnas. Observera att banden som sitter på undersidan av dynan och/eller dynans överdrag inte kan avlägsnas.

**Utför följande steg om dynöverdraget O2 Top Cover ska användas**

Dessa steg motsvarar installationsbilderna 1–6 i snabbinstallationsguiden:

- Kontrollera dynans storlek.  
Dynans bredd (X) ska motsvara sitsens bredd. Om dynan vilar mot armstöd eller sidoskydd kan den vara upp till 2,5 cm (1") bredare. Dynans djup (Y) ska motsvara sitsens bredd.
- Kontrollera om överdragets storlek motsvarar dynans storlek.
- Avlägsna skyddstejpen från kardborrbanden på undersidan av dynan.
- Placera dynan i sitsen och tryck ner den ordentligt.
- Placera dynöverdraget O2 Top Cover ovanpå dynan.
- För in haken som sitter på dynans baksida genom "knapphållet" på dynans baksida
- Sitt på dynan under några minuter så att den formas efter din kropp.
- Justera fotstöd vid behov.

### Alternativa dynöverdrag

Utför följande steg om du använder Comfair Cover eller Incotec Cover.

- Kontrollera dynans storlek.  
Dynans bredd (X) ska motsvara sitsens bredd. Om dynan vilar mot armstöd eller sidoskydd kan den vara upp till 2,5 cm (1") bredare. Dynans djup (Y) ska motsvara sitsens bredd.
- Kontrollera om överdragets storlek motsvarar dynans storlek.
- Avlägsna kardborrbanden från dynans undersida. Observera att banden som sitter på undersidan av dynan inte kan avlägsnas.
- För in dynan i överdraget.
- Fäst haken i öglan på överdraget.
- Stäng blixtlåset. Se till att dynan inte skadas.
- Avlägsna skyddstejpen från kardborrbanden på dynans överdrag.
- Placera dynan i sitsen och tryck ner den ordentligt.
- Sitt på dynan under några minuter så att den formas efter din kropp.

- Justera fotstöd vid behov.

### Kontroll avseende kroppskontakt med dynans botten ("bottoming out"):

Bild 7 – snabbinstallationsguide

**Varning!** Svanskotan och bäckenbenet får inte vidröra dynans botten ("bottoming out").

Kontroll att så inte sker ska utföras i samband med första användningen och efter justeringar av dynans stoppning.

**Varning!** Vicair B.V. rekommenderar att justering av fyllnadsgraden sker under direkt överinseende av en terapeut eller en hjälpmedelskonsulent.

- Kontrollera att ingen kroppskontakt med dynans botten föreligger (bottoming out) efter att ha suttit på den i cirka 5 minuter.
- Låt din terapeut eller hjälpmedelskonsulent skjuta in en hand mellan din bakdel och Vicair-dynan samtidigt som du lutar dig framåt.
- Låt terapeuten eller hjälpmedelskonsulenten kontrollera om den lägsta delen av din bakdel stöds av minst 2,5 cm (1") SmartCells™. På detta sätt säkerställs att den inte kommer i kontakt med rullstolens sits.
- Använd inte dynan om kroppskontakt med dynans botten uppstår. I de flesta fall kan en justering av fyllnadsgraden i dynans fack lösa eventuella problem.

## ANVÄNDNING

### Kontroll av hudrodnad

Bild 8 – snabbinstallationsguide

**Varning!** Kontrollera regelbundet huden avseende rodnad, särskilt under de första dagarna. Rådfråga ansvarig terapeut eller hjälpmedelskonsulent om rodnad som inte försvinner inom 15 minuter uppstår.

## Justering av fyllnadsgraden

**Varning!** Vicair B.V. rekommenderar att justering av fyllnadsgraden sker under direkt överinseende av en terapeut eller en hjälpmedelskonsulent.

## Redo för användning

Vicair-produkten är redo för användning. Fyllnadsgraden varierar beroende på dynans storlek och modell och hanterar automatiskt små skevheter. Vid behov – om man behöver stödja en mer extrem asymmetri – kan dock fyllnadsgraden justeras genom att SmartCells avlägsnas från/tillförs till de olika facken. Standardfyllnadsgraden anges på dynans etikett.

## Förutsättningar för användning och förvaring

**Försiktighet!** Använd eller förvara inte produkten nära öppen eld eller värmekälla som avger hög temperatur.

- **Användarvikt:**  
Lägsta: Max 100 kg/ 220 lbs: 500 kg/ 1102
- **Temperatur:**  
Lägsta: -20 °C / 4 °F, högsta: 55 °C / 131 °F
- **Användning på hög höjd**  
**Observera!** Vicair B.V. avråder från användning av dynan på platser 2 400 m (8 000 ft) över havsytan eller 50 m (164 ft) under havsytan. Då varje enskild SmartCell är fylld med luft kan dynans egenskaper förändras om den används på hög höjd, exempelvis under en flygresa. Under sådana villkor kan dynans fasthet justeras genom att några luftkuddar avlägsnas från varje fack.
- **Luftfuktighet:** Lägsta: 0 %, högsta 100 %

## Daglig uppuffning

Vicair B.V. rekommenderar att Vicair-dynan puffas upp varje dag före användning.

## Användning av Vicair-sittdynor i motorfordon

**Varning!** För närvarande föreligger inga testdata avseende säker användning av Vicair-

rullstolsdynor i motorfordon. Av denna anledning rekommenderar vi inte användning av rullstolsdynan i motorfordon. Som ett alternativ till Vicair-rullstolsdynan kan Vicair AllRounder O2 (som kan fästas på användarens kropp) användas om ytterligare skydd behövs vid transport.

## Återanvändning – överföring till annan användare

Denna produkt är inte lämplig för upprepad användning. Antalet gånger som den kan användas beror på hur ofta och på vilket sätt den används. Produkten måste rengöras och desinficeras grundligt innan en annan person tillåts att använda den. Se kapitlet "Underhåll och rengöring" för anvisningar.

**Observera!** Säkerställ att produkten är korrekt inställd för den andra personen.

## Byte av dynöverdrag

Vid normal användning rekommenderar Vicair B.V. att dynöverdraget byts ut årligen. Extra överdrag kan köpas separat.

## Kassering

Kassering och återvinning av använda enheter och förpackningar måste ske i enlighet med lokala regler. Säkerställ att produkten är rengjord innan den kasseras för att undvika eventuell risk för kontamination.

## UNDERHÅLL OCH RENGÖRING

---

**Varning!** Kontrollera produkten avseende slitage och tömda luftkuddar var tredje månad. Fortsätt inte att använda produkten om den är allvarligt skadad eller ett stort antal luftkuddar är tömda. Rådgör med din återförsäljare.

**Försiktighet!** Ångrengör eller autoklavera inte produkten. Den tål inte stark värme eller högt tryck. Om angivna rengöringsanvisningar inte följs kommer livslängden för produkten med stor sannolikhet att förkortas.

**Försiktighet!** Använd inte aggressiva eller slipande rengöringsmedel eller vassa föremål för att rengöra dynan.

**Försiktighet!** Placera inte Vicair O2-dynas ovansida mot glaset på tvättmaskinens lucka.

### Rengöra Vicair XXtra O2

- **Rengöring av dynöverdraget Vicair XXtra O2**  
Dynöverdraget tål maskintvätt. Följ tvåtården på etiketten som sitter på insidan av överdraget. (60 °C= 140 °F)



- **Rengöring av dynan Vicair XXtra O2**  
Din Vicair O2-dyna kan maskintvättas i 60 °C/140 °F med antiskrynklingsprogram och mild tvättmedel. Luftkuddarna (SmartCells) behöver inte avlägsnas innan dynan läggs i tvättmaskinen. Säkerställ att dynans ovansida inte placeras mot glaset på tvättmaskinens lucka. Fyll inte tvättmaskinen till mer än hälften av dess maximala viktkapacitet. Centrifugeringshastigheten bör sänkas. Se till att dynan kan röra sig fritt inuti trumman om du använder en tvättmaskin med omrörare. Använd inte klorblekmedel och undvik kemtvätt! Vicair O2-dynan får ej torktumlas utan ska lufttorkas. Remmen kan användas för upphängning av Vicair O2-dynan vid torkning.



### Desinfektera din Vicair XXtra O2

**Varning!** Om produkten förorenas med kroppsvätskor eller överförs till annan brukare måste den desinficeras för att undvika korskontaminering. Rengör dynan och överdraget enligt anvisningarna ovan. Använd företrädesvis ett antibakteriellt rengöringsmedel. Spreja dynan och överdraget med desinfektionsmedel efter rengöring. Böj facken utåt för att säkerställa att sprejen kan tränga in i mellanrummen.

## GARANTI

Besök [www.vicair.com](http://www.vicair.com) för fullständig information om garantiärenden och villkor. Vicair B.V. erbjuder en begränsad garanti mot defekter i utförande och material under förutsättning att produkten har använts på avsett sätt. Eventuella skador som uppkommer till följd icke avsedd användning, felaktig hantering, felaktig rengöring eller vårdslöshet omfattas inte av denna garanti.

### Garantiperiod

Från inköpsdatum: 24 månader.

Garantin för SmartCellerna i denna Vicair O2-dyna gäller under produktens hela livslängd.

Skulle en defekt i material eller utförande upptäckas inom ovan angivna garantitid kommer Vicair B.V. på eget initiativ att utan kostnad reparera eller byta ut produkten. Dynöverdraget omfattas inte av denna garanti. Kompensation till följd av att en utställd garanti inte efterlevs är begränsad till reparation eller utbyte av produkten. Skada till följd av att en garanti inte efterlevs ska under inga omständigheter omfatta följdskador eller överstiga priset på den icke avtalsenliga varan.

### Frågor?

Kontakta Vicair B.V. via [info@vicair.com](mailto:info@vicair.com) eller kontakta Vicair-återförsäljaren i ditt land.

Kjære kunde,

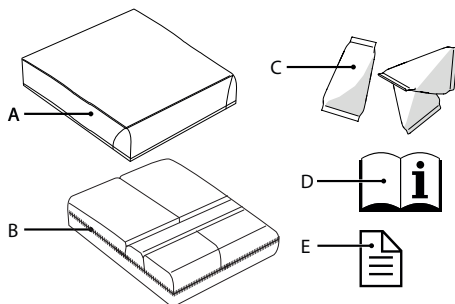
Takk for at du har valgt et Vicair®-produkt. Puten er enkel og sikker i bruk, og gir svært god effekt. For rask installering kan du bruke hurtigveiledningen som følger med puten. Les i tillegg brukermanualen og sørg for at du forstår alt som står der før du bruker produktet. Ta vare på både hurtigveiledningen og denne manualen for fremtidig bruk.

For mer informasjon eller bestilling av (flere) manualer, kontakt [norway@invacare.no](mailto:norway@invacare.no).  
Gå til [vicair.com](http://vicair.com) for informasjon om forhandlere.

## INTRODUKSJON

Vicair XXtra O2 er en stor pute for rullestolseter som gir svært god hudbeskyttelse for bariatriske personer som har høy risiko for å utvikle trykksår. Den er utviklet for å forbedre kroppsholdningen, forebygge trykksår og gir komfortabel og stabil støtte til kroppen. Den kan også brukes som et effektivt tillegg til en behandlingsplan for trykksår (nivå I-IV). Vicair XXtra O2-puten kan vaskes i maskin uten å fjerne SmartCells!

## HOVEDDELER



- A Putetrek
- B Pute
- C SmartCells™, plassert i 5 kammer
- D Brukermanual
- E Hurtigveiledning (Quick Installation Guide)

## GENERELLE PRODUKTSPEKIFIKASJONER

Produktnavn:	Vicair XXtra O2
Produsert av:	Vicair B.V., Nederland
Garanti:	24 måneder
Vekt (uten trekk):	Minste størrelse: 0,5 kg / 1,1 lbs Mellomstørrelse: 0,8 kg / 1,8 lbs Største størrelse: 1 kg / 2,2 lbs
Tilgjengelige størrelser:	Se tabellen bakerst i manualen
Materialer:	Ingen materialer med lateks
Pute:	Toppen er laget av polyester med polyuretantrekk. Bunnen er laget av polyesternett
Fyll:	Luftfylte SmartCells med lavfrikjonsbelegg
O2-overtrekk: Topp:	Stoff av strikket polyester.
Bunnkant:	Polyester med antiskli-belegg av polyuretan.

### Alternative putetrekk:

Comfair Cover: Topp: Stoff av strikket polyester.

Sider: 3D nettingstoff av polyester. Bunn:

Polyester med antiskli-belegg av polyuretan.

Incotec Cover: Topp: Stoff av strikket polyester,

belagt med væske-avvisende, pustende

polyuretan. Bunn: Polyester med antiskli-belegg

av polyuretan.

Alle trekk: Kan maskinvaskes. Trekkene er i samsvar med EN1021-1, 1021-2 og CAL117.

## FORHOLDSREGLER OG SIKKERHETSINSTRUKSJONER

---

En Vicair-pute for rullestol skal bare brukes som en rullestolpute. Enhver annen bruk av dette produktet anses for å være feilbruk. Vicair B.V. kan ikke holdes ansvarlig for skader som oppstår som følge av feilbruk, ukorrekt bruk eller uaktsomhet. Pass på at du leser og forstår hele denne brukermanualen.

**Advarsel!** Vicair B.V. anbefaler at Vicair XXtra O2 installeres under direkte tilsyn av en terapeut eller en teknisk rådgiver.

**Advarsel!** Halebeinet eller bekkenbeina må ikke berøre bunnen av puten. En kontroll av om kroppen berører bunnen av puten må gjennomføres ved første bruk og etter justeringer i putefyllet.

**Advarsel!** Kontroller huden regelmessig for rødhet, spesielt de første dagene. Hvis det oppstår rødhet som ikke forsvinner i løpet av 15 minutter, ta kontakt med terapeuten din eller en teknisk rådgiver.

**Advarsel!** Vicair B.V. anbefaler at fyllgraden justeres under direkte tilsyn av en terapeut eller en teknisk rådgiver.

**Advarsel!** Det finnes per dags dato ikke tilgjengelige testdata om sikker bruk av Vicair-rullestolputer i motorkjøretøy. Vi anbefaler derfor ikke å bruke rullestolputen i motorkjøretøy.

**Advarsel!** Ved tilsmussing med kroppsvæsker eller når produktet overføres til en annen bruker, må produktet desinfiseres for å hindre smitte.

**Advarsel!** Hver tredje måned må produktet sjekkes for slitasje og celler med for lite luft. Ved alvorlig skade eller et høyt antall celler med for lite luft må produktet ikke brukes. Kontakt da Invacare.

**NB!** Hold produktet unna åpen ild eller andre kilder til høy varme.

**NB!** Produktet tåler ikke damprens eller autoklav. Produktet tåler ikke høy varme eller høyt trykk. Dersom produktet ikke vaskes som angitt, forkortes dets levetid.

**NB!** Ikke bruk sterke eller slipende rengjøringsmidler eller skarpe gjenstander til å rengjøre puten.

**NB!** Ikke plasser oversiden av Vicair O2-puten mot glasset på vaskemaskindøren.

**NB!** Pass på at puten ikke kommer i kontakt med hjulenes eiker.

## INSTALLASJON

---

**Advarsel!** Vicair B.V. anbefaler at Vicair XXtra O2 installeres under direkte tilsyn av en terapeut eller en teknisk rådgiver.

**NB!** Pass på at puten ikke kommer i kontakt med hjulenes eiker.

**Merk!** Bruk alltid puten med trekk.

**Merk!** Pass på at rullestolsetet er rent og fettfritt.

**Tips:** Hvis du foretrekker å ikke bruke borrelåsene, kan du fjerne disse. Vær oppmerksom på at remsene festet til bunnen av puten og/eller putetrekket ikke kan fjernes.

### Utfør følgende trinn når du bruker O2 Top Cover-putetrekket

Disse trinnene følger bildene 1-6 i hurtigveiledningen:

- Kontroller putestørrelsen.  
Bredden (X) til puten og setet må stemme overens. Når puten hviler mot armlener eller

sidestøtter, kan bredden være opp til 2,5 cm (1") bredere. Dybden (Y) til puten og setet må stemme overens.

- Kontroller at størrelsen på trekket passer til størrelsen på puten.
- Fjern den beskyttende tapen fra de selvklebende borrelåsene festet i bunnen av puten.
- Plasser puten ved å trykke den godt på plass.
- Plasser O2 Top Cover-putetrekket over toppen av puten.
- Før løkken på baksiden av puten gjennom "knappehullet" på baksiden av trekket.
- Sitt på puten i noen minutter for å la puten forme seg etter kroppsfasongen din.
- Juster fotstøtten(e) om nødvendig.

### Alternative putetrek

Utfør følgende trinn når du bruker Comfair Cover eller Incotec Cover.

- Kontroller putestørrelsen. Bredden (X) til puten og setet må stemme overens. Når puten hviler mot armlener eller sidestøtter, kan bredden være opp til 2,5 cm (1") bredere. Dybden (Y) til puten og setet må stemme overens.
- Kontroller at størrelsen på trekket passer til størrelsen på puten.
- Fjern borrelås-remmene fra bunnen av puten. Vær oppmerksom på at borrelåsene festet i bunnen av puten ikke kan fjernes.
- Sett puten inn i trekket.
- Før løkken gjennom hullet i trekket.
- Lukk glidelåsen. Pass på å ikke skade puten.
- Fjern beskyttelsen fra de selvklebende borrelåsene festet til putetrekket.
- Plasser puten ved å trykke den godt på plass.
- Sitt på puten i noen minutter for å la puten forme seg etter kroppsfasongen din.
- Juster fotstøtten(e) om nødvendig.

### Kontroller om kroppen berører bunnen av puten:

Bilde 7 - Hurtigveiledning

**Advarsel!** Halebeinet eller bekkenbeina må ikke berøre bunnen av puten. En kontroll av om kroppen berører bunnen av puten må gjennomføres ved første bruk og etter justeringer i putefyllet.

**Advarsel!** Vicair B.V. anbefaler at fyllgraden justeres under direkte tilsyn av en terapeut eller en teknisk rådgiver.

- Kontroller om kroppen berører bunnen av puten etter å ha sittet på puten i omtrent fem minutter.
- Be terapeuten din eller den tekniske rådgiveren om å føre en hånd mellom baken din og Vicair-puten mens du lener deg forover.
- La terapeuten eller den tekniske rådgiveren kontrollere om de laveste beinfremspringene dine støttes av minst 2,5 cm / 1" med SmartCells™. Dette hindrer dem fra å berøre rullestolsetet.
- Ikke bruk puten hvis kroppen din berører bunnen av puten. I de fleste tilfeller vil en justering av fyllgraden i kamrene løse eventuelle problemer.

## BRUK

---

### Kontroller rødhet i huden

Bilde 8 - Hurtigveiledning

**Advarsel!** Kontroller huden regelmessig for rødhet, spesielt de første dagene. Hvis det oppstår rødhet som ikke forsvinner i løpet av 15 minutter, ta kontakt med terapeuten din eller en teknisk rådgiver.

### Juster fyllgraden

**Advarsel!** Vicair B.V. anbefaler at fyllgraden justeres under direkte tilsyn av en terapeut eller en teknisk rådgiver.

## Klar til bruk

Vicair-produktet er klart til bruk. Det har sin egen, unike fyllgrad avhengig av størrelse og modell og håndterer mindre skjevheter automatisk. Men hvis det er nødvendig for å støtte mer ekstrem asymmetri, kan fyllgraden justeres ved å fjerne eller tilføye SmartCells i de forskjellige kamrene. Du finner informasjon om standard fyllgrad på merkelappen som er festet til puten.

## Betingelser for bruk og oppbevaring

**NB!** Hold produktet unna åpen ild eller andre kilder til høy varme.

- **Brukervekt:**

Minimum: 100 kg/ 220 lbs  
maksimum: 500 kg/ 1102

- **Temperatur:**

Minimum: - 20 °C / 4 °F,  
maksimum: 55 °C / 131 °F

- **Bruk i høyden**

**Merk!** Vicair B.V. anbefaler å ikke bruke puten i høyder over 2400 m (8000 fot) over havet eller under 50 m (164 fot) under havoverflaten. Siden hver SmartCell er fylt med luft, kan puten oppføre seg ulikt høyt oppe eller i fly. I slike tilfeller kan putens fasthet justeres ved å fjerne noen få celler fra hvert kammer.

- **Luftfuktighet:**

Minimum: 0 %, maksimum 100 %

## Daglig oppristing

Vicair B.V. anbefaler at du rister opp Vicair-puten daglig før du bruker den.

## Bruk av Vicair-seteputer i motorkjøretøy

**Advarsel!** Det finnes per dags dato ikke tilgjengelige testdata om sikker bruk av Vicair-rullestolputer i motorkjøretøy. Vi anbefaler derfor ikke å bruke rullestolputen i motorkjøretøy. Som et alternativ til Vicair-rullestolputen kan du benytte Vicair AllRounder

O2 (som kan festes til brukerens kropp) hvis du trenger ytterligere beskyttelse under transport.

## Gjenbruk – overføring av produktet til en annen bruker

Produktet er egnet for gjentatt bruk. Hvor mange ganger den kan brukes, avhenger av hvor ofte og på hvilken måte produktet er blitt brukt. Produktet må rengjøres grundig og desinfiseres før en annen person kan bruke det. Se kapittelet «Vedlikehold og rengjøring» for instruksjoner.

**Merk!** Pass på at produktet justeres korrekt til den andre personen.

## Bytte av putetrekket

Ved normal bruk anbefaler Vicair B.V. å bytte putetrekket hvert år. Nye putetrekk kan kjøpes separat.

## Kassering

Kassering og resirkulering av brukte enheter og emballasje må foretas i samsvar gjeldende regelverk. Forsikre deg om at produktet er blitt rengjort før det kasseres, for å unngå smitterisiko.

## VEDLIKEHOLD OG RENGJØRING

---

**Advarsel!** Hver tredje måned må produktet sjekkes for slitasje og celler med for lite luft. Ved alvorlig skade eller et høyt antall celler med for lite luft må produktet ikke brukes. Kontakt da Invacare.

**NB!** Produktet tåler ikke damprens eller autoklav. Produktet tåler ikke høy varme eller høyt trykk. Dersom produktet ikke vaskes som angitt, forkortes dets levetid.

**NB!** Ikke bruk sterke eller slipende rengjøringsmidler eller skarpe gjenstander til å rengjøre puten.

**NB!** Ikke plasser oversiden av Vicair O2-puten mot glasset på vaskemaskindøren.

## Rengjøring av Vicair XXtra O2

### • Rengjøring av putetrekket til Vicair XXtra O2

Putetrekket kan maskinvaskes. Følg vaskeanvisningene på merkelappen festet på innsiden av trekket.

(60 °C = 140 °F)



### • Rengjøring av Vicair XXtra O2-puten

Vicair O2-puten kan vaskes i maskin på 60 °C / 140 °C ved bruk av et finvaskprogram og et mildt vaskemiddel. Du trenger ikke fjerne SmartCells før du legger puten i vaskemaskinen. Ikke legg oversiden av puten mot glasset på vaskemaskindøren. Ikke fyll vaskemaskinen mer enn halvparten av tillatt vekt. Reduser sentrifugehastigheten. Når man bruker en vaskemaskin med agitator, må man passe på at puten kan bevege seg fritt inne i trommelen. Ikke bruk klorblekemiddel og ikke ta puten til rens! Ikke tørk Vicair O2-puten i tørketrommel, men la den lufttørke. Du kan benytte stroppen til å henge opp puten.



## Desinfisering av Vicair XXtra O2

**Advarsel!** Ved tilsmussing med kroppsvæsker eller når produktet overføres til en annen bruker, må produktet desinfiseres for å hindre smitte. Rengjør puten og trekket som forklart ovenfor. Bruk helst et antibakterielt rengjøringsmiddel. Etter rengjøring må puten og trekket sprayes med et desinfiseringsmiddel. Bøy kamrene utover for å sikre at sprayen kommer inn i mellomrommene.

## GARANTI

Se [www.vicair.com](http://www.vicair.com) for komplett informasjon om garantier, vilkår og betingelser.

Vicair B.V. har en begrenset garanti mot fabrikasjonsfeil og materialfeil, forutsatt at produktet har blitt brukt på normal måte. Enhver skade som har oppstått som følge av unormal bruk, feilaktig håndtering, feilaktig rengjøring eller annen uaktsomhet, dekkes ikke av denne garantien.

### Garantiperiode

Fra opprinnelig kjøpsdato: 24 måneder. SmartCells i denne Vicair O2-puten har livslang garanti.

Hvis det oppstår en fabrikasjonsfeil eller materialfeil innenfor tidsperioden nevnt ovenfor, skal Vicair B.V. enten reparere eller erstatte produktet – etter eget valg – uten omkostninger. Putetrekket er ekskludert fra denne garantien.

Garantien er begrenset til erstatning eller reparasjon av produktet.

Ikke i noe tilfelle skal erstatning for brudd på garantien inkludere eventuelle følgeskader eller overstige produktets kostnad.

### Har du spørsmål?

Ta kontakt med Invacares kundeserviceavdeling på e-post [norway@invacare.no](mailto:norway@invacare.no) eller på telefon 22 57 95 00.

# FI VICAIR® XXTRA O2 -KÄYTTÖOHJE

Hyvä asiakas!

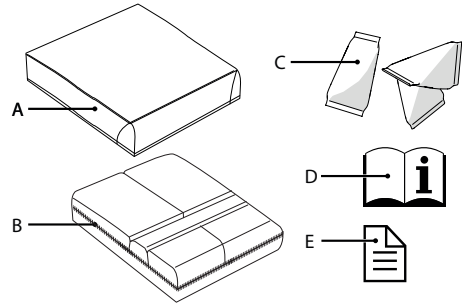
Kiitos Vicair®-tuotteen valinnasta. Olemme varmoja, että arvostat sen yksinkertaisuutta, luotettavuutta ja erinomaista vaikutusta. Asennuksen nopeuttamiseksi voit käyttää tyynyn mukana toimitettua pika-asennusopasta. Lue ja omaksu lisäksi tämä käyttöohje ennen käyttöä. Säilytä sekä pika-asennusopas että tämä ohje tulevaa tarvetta varten.

Ota yhteys oman maasi jakelijaan, kun tarvitset lisätietoa tai haluat tilata (lisää) käyttöohjeita. Lue jakelijatiedot osoitteesta [vicair.com](http://vicair.com).

## JOHDANTO

Vicair XXtra O2 on suurikokoinen pyörätuolin istuintyyny, joka suojaaa ihoa erinomaisesti bariatrista hoitoa saavilla henkilöillä, joilla on suuri riski saada painehaavoja. Se kohentaa ryhtiä, ehkäisee painehaavoja ja tarjoaa mukavan ja vakaan tuen keholle. Se on tehokas lisä painehaavojen hoitosuunnitelmaan (I–IV asteen painehaavat). Vicair XXtra O2 -tyyny on konepestävä irrottamatta SmartCells-ilmakartioita!

## PÄÄOSAT



- A Tyynynpäällinen
- B Tyyny
- C SmartCells™-ilmakartiot 5 osastossa
- D Käyttöohje
- E Pika-asennusopas (Quick Installation Guide)

## YLEISTIEDOT TUOTTEESTA

Tuotenimi:	Vicair XXtra O2
Valmistaja:	Vicair B.V., Alankomaat
Takuu:	24 kuukautta
Paino (ilman päällistä):	Pienin koko: 0,5 kg / 1,1 lb Keskikoko: 0,8 kg / 1,8 lb Suurin koko: 1 kg / 2,2 lb
Saatavissa olevat koot:	Katso ohjeen takasivulla oleva taulukko
Käytetyt materiaalit:	Täysin lateksittomat.
Tyyny:	Päällinen on valmistettu polyuretaanipinnoitusta polyesterikan-kaasta, pohja on polyesteriverkkokangasta
Täyte:	Ilmatäytteiset SmartCells-kartiot, joissa kitkaa vähentävä pinnoite

O2 Top Cover -päällinen: Yläpuoli: Neulottu polyesterikangas. Alareuna: Polyesterikangas, jossa on polyuretaanista valmistettu liukumisenestopinnoite.

#### **Vaihtoehtoiset tynynpäälliset:**

Comfair Cover -päällinen: Yläpuoli: Neulottu polyesterikangas. Sivut: Kolmiulotteinen polyesteriverkkokuitu. Pohja: Polyesterikangas, jossa on polyuretaanista valmistettu liukumisenestopinnoite.

Incotec Cover tynynpäällinen: Yläpuoli: Neulottu polyesterikangas, joka on pinnoitettu vedenpitävällä hengittävällä polyuretaanilla.

Pohja: Polyesterikangas, jossa on polyuretaanista valmistettu liukumisenestopinnoite.

Kaikki päälliset ovat konepestäviä. Päälliset täyttävät standardit EN 1021-1, 1021-2 ja CAL117.

## **VAROTOIMET JA TURVAOHJEET.**

---

Vicair-pyörätuolityynyä saa käyttää ainoastaan pyörätuolin istuintynynä. Muunlainen tuotteen käyttö katsotaan virheelliseksi käytöksi. Vicair B.V. ei vastaa vahingoista, jotka aiheutuvat tuotteen virheellisestä tai väärästä käytöstä tai laiminlyönnistä. Varmista, että olet lukenut ja ymmärtänyt tämän ohjeen kokonaisuudessaan.

**Varoitus!** Vicair B.V. suosittelee, että Vicair XXtra O2 asennetaan hoitajan tai apuvälineen luovuttajan välittömässä valvonnassa.

**Varoitus!** Häntäluusi ja lantion luittesi ei pitäisi koskettaa tynyn pohjaa. Pohjakosketuksen tarkistaminen on tehtävä ensimmäisellä käyttökerralla ja uudelleen tynyn täyttöasteen säätämisen jälkeen.

**Varoitus!** Seuraa ihosi punoitusta säännöllisesti erityisesti parin ensimmäisen päivän aikana. Mikäli punoitusta ilmenee eikä se häviä 15 minuutin kuluessa, ota yhteyttä hoitajaasi tai apuvälineen luovuttajaan.

**Varoitus!** Vicair B.V. suosittelee, että tynyn täyttöastetta säädetään hoitajan tai apuvälineen

luovuttajan välittömässä valvonnassa.

**Varoitus!** Vicair-pyörätuolityynyjen käytöstä moottoriajoneuvoissa ei ole tällä hetkellä olemassa tutkimustuloksia. Sen vuoksi emme suosittele pyörätuolityynyä käyttämään moottoriajoneuvoissa.

**Varoitus!** Jos tynny on likaantunut kehon nesteistä ja eritteistä ja jos se luovutetaan toiselle käyttäjälle, se on desinfioitava ristikontaminaation ehkäisemiseksi.

**Varoitus!** Tarkista tuotteen kuluminen ja ilmakartioiden tyhjentyminen kolmen kuukauden välein. Mikäli tynny on pahasti vahingoittunut tai suuri määrä ilmakartioita on tyhjentynyt, älä jatka tuotteen käyttöä. Ota yhteys jälleenmyyjään.

**Huomio!** Älä käytä tai jätä tuotetta avotulen lähelle tai kuuman lämmönlähteen lähelle.

**Huomio!** Älä pese tuotetta höyrystämillä äläkä laita sitä autoklaaviin. Tuote ei kestä korkeata lämpöä eikä painetta. Jollei annettuja puhdistusohjeita noudateta, on todennäköistä, että tuote ja/tai sen päällinen kuluvat käytössä nopeammin.

**Huomio!** Älä käytä hankaavia tai syövyttäviä puhdistusaineita tai teräviä välineitä tynny puhdistamiseen.

**Huomio!** Älä aseta Vicair O2 -tynny yläpuolta pesukoneen lasiluukkuun vasten.

**Huomio!** Varmista, ettei tynny osu teräspinnojen väliin.

## **ASENNUS**

---

**Varoitus!** Vicair B.V. suosittelee, että Vicair XXtra O2 asennetaan hoitajan tai apuvälineen luovuttajan välittömässä valvonnassa.

**Huomio!** Varmista, ettei tynny osu teräspinnojen väliin.

**Huomautus!** Käytä tynnyä aina päällisen kanssa.

**Huomautus!** Tarkista, että pyörätuolin istuin on puhdas ja tahraton rasvasta.

**Vinkki:** Jolle halua käyttää tarranauhaa, voit irrottaa tarranauhat. Huomaa, ettei tyynyn pohjaan ja/tai tyynynpäälliseen kiinnitettyjä nauhoja voi irrottaa.

### **Ota O2 Top Cover -päällinen käyttöön seuraavissa vaiheissa**

Vaiheet vastaavat pika-asennusoppaan asennuskuvia 1–6:

- Tarkista tyynyn koko. Tyynyn ja istuimen leveyden (X) tulee olla sama. Kun käsinojat tai sivusuojat tukevat tyynyä, tyyny voi olla enintään 2,5 cm leveämpi. Tyynyn ja istuimen syvyyden (Y) tulee olla sama.
- Tarkista, että päällisen koko vastaa tyynyn kokoa.
- Poista tyynyn pohjaan kiinnitettyjen tarranauhojen suojateipit.
- Aseta tyyny paikalleen painamalla voimakkaasti.
- Aseta O2 Top Cover -päällinen tyynyn yläosan päälle.
- Vie silmukka tyynyn taakse päällisen takana olevan ”napinläven” kautta.
- Istu tyynyn päällä pari minuuttia, jotta se mukautuu sinulle mukavaksi.
- Säädä tarvittaessa pyörätuolin jalkatukia.

### **Vaihtoehtoiset tyynynpäälliset**

Ota Comfair Cover - tai Incotec Cover - tyynynpäällinen käyttöön seuraavissa vaiheissa.

- Tarkista tyynyn koko.
- Tyynyn ja istuimen leveyden (X) tulee olla sama. Kun käsinojat tai sivusuojat tukevat tyynyä, tyyny voi olla enintään 2,5 cm leveämpi. Tyynyn ja istuimen syvyyden (Y) tulee olla sama.
- Tarkista, että päällisen koko vastaa tyynyn kokoa.
- Poista tarranauhat tyynyn pohjasta. Huomaa, ettei tyynyn pohjaan kiinnitettyjä nauhoja voi irrottaa.
- Aseta tyyny päällisen sisään.

- Vie silmukka päällisessä olevan renkaan läpi.
- Sulje vetoketju. Varmista, ettei tyyny vahingoitu.
- Poista päälliseen kiinnitettyjen tarranauhojen suojateipit.
- Aseta tyyny paikalleen painamalla voimakkaasti.
- Istu tyynyn päällä pari minuuttia, jotta se mukautuu sinulle mukavaksi.
- Säädä tarvittaessa pyörätuolin jalkatukia.

### **Tarkista pohjakosketus:**

Kuva 7 – Pika-asennusopas

**Varoitus!** Häntäluusi ja lantion luittesi ei pitäisi koskettaa tyynyn pohjaa. Pohjakosketuksen tarkistaminen on tehtävä ensimmäisellä käyttökerralla ja uudelleen tyynyn täyttöasteen säätämisen jälkeen.

**Varoitus!** Vicair B.V. suosittelee, että tyynyn täyttöastetta säädetään hoitajan tai apuvälineen luovuttajan välittömässä valvonnassa.

- Tarkista pohjakosketus, kun olet istunut tyynyllä noin 5 minuutin ajan.
- Anna hoitajan tai apuvälineen luovuttajan työntää kätensä pakaroidesi ja Vicair-tyynyn väliin samalla, kun nojaat eteenpäin.
- Pyydä hoitajaa tai apuvälineen luovuttajaa tarkistamaan, että alimpien istumaluidesi alla on vähintään 2,5 cm SmartCells™-ilmakartioita. Ne estävät niitä koskettamasta pyörätuolin istuimeen.
- Älä käytä tyynyä, mikäli tunnet pohjakosketuksen. Useimmiten osastojen täyttöasteen säätäminen ratkaisee ongelman.

## **KÄYTTÖ**

---

### **Ihon punoituksen tarkistus**

Kuva 8 – Pika-asennusopas

**Varoitus!** Seuraa ihosi punoitusta säännöllisesti erityisesti parin ensimmäisen päivän aikana.

Mikäli punoitusta ilmenee eikä se häviä 15

minuutin kuluessa, ota yhteyttä hoitajaasi tai apuvälineen luovuttajaan.

### **Täyttöasteen säätäminen**

**Varoitus!** Vicair B.V. suosittelee, että tyynyn täyttöastetta säädetään hoitajan tai apuvälineen luovuttajan välittömässä valvonnassa.

### **Käyttövalmius**

Tämä Vicair-tuote on käyttövalmis. Eri kokojen ja mallien täyttöasteet vaihtelevat, ja se mukautuu automaattisesti pieniin kaltevuuspoikkeamiin. Voimakkaan epäsymmetrian tukemiseksi täyttöastetta voidaan tarvittaessa säätää poistamalla tai lisäämällä SmartCells-ilmakartioita eri osastoista/osastoihin. Oletustäyttöaste näkyy tyynyn kiinnitetystä lapusta.

### **Käyttö- ja säilytysolosuhteet**

**Huomio!** Älä käytä tai jätä tuotetta avotulen lähelle tai kuuman lämmönlähteen lähelle.

- **Käyttäjän paino:**  
Alin: 100 kg / 220 lb, ylin: 500 kg / 1102 lb
- **Lämpötila:**  
Alin: -20 °C / 4 °F, ylin: 55 °C / 131 °F
- **Käyttö korkeassa ilmanalassa**  
**Huomautus!** Vicair B.V. ei suosittele tyynyn käyttöä yli 2400 m:n korkeudessa merenpinnasta eikä yli 50 m merenpinnan alapuolella. Koska SmartCell-kartioiden ovat täynnä ilmaa, tyyny voi käyttäytyä poikkeavasti korkeassa ilmanalassa tai lentokoneessa. Näissä tilanteissa tyynyn tukevuutta voidaan säätää poistamalla muutama ilmakartio kustakin osastosta.
- **Ilmankosteus:**  
Alin: 0 %, ylin 100 %

### **Päivittäinen pölynpoisto**

Vicair B.V. suosittelee Vicair-tyynyn päivittäistä puhdistamista pölystä.

### **Vicair-istuintyynyjen käyttö moottoriajoneuvoissa**

**Varoitus!** Vicair-pyörätuolityynyjen käytöstä moottoriajoneuvoissa ei ole tällä hetkellä olemassa tutkimustuloksia. Sen vuoksi emme suosittele pyörätuolityynyn käyttöä moottoriajoneuvoissa. Vaihtoehtona Vicair-pyörätuolityynylle voit käyttää Vicair AllRounder O2 -tyynyä (joka voidaan kiinnittää käyttäjän vartaloon), jos tarvitset kuljetuksen ajaksi lisäsuojaa.

### **Uudelleenkäyttö - Tuotteen luovuttaminen toiselle käyttäjälle**

Tuote soveltuu toistuvaan käyttöön. Käyttökertojen määrä riippuu tuotteen käyttöiheydestä ja käyttötavasta. Tuote on puhdistettava ja desinfioitava huolellisesti, ennen kuin toisen henkilön annetaan käyttää sitä. Katso ohjeet luvusta Kunnossapito ja puhdistus.

**Huomautus!** Varmista, että tuote on säädetty oikein toiselle henkilölle.

### **Tyynynpäällisen uusiminen**

Vicair B.V. suosittelee tyynynpäällisen uusimista vuosittain normaalikäytössä. Vaihtopäällisiä voi ostaa erikseen.

### **Jätehuolto**

Käytettyjen laitteiden ja pakkausten jätehuollossa ja kierrättämisessä on noudatettava kulloinkin sovellettavaa lainsäädäntöä. Varmista kontaminaatoriskien ehkäisemiseksi, että tuote on puhdistettu ennen luovutusta jätehuoltoon.

## HUOLTAMINEN JA PUHDISTAMINEN

---

**Varoitus!** Tarkista tuotteen kuluminen ja ilmakartioiden tyhjentyminen kolmen kuukauden välein. Mikäli tyyny on pahasti vahingoittunut tai suuri määrä ilmakartioita on tyhjentyneet, älä jatka tuotteen käyttöä. Ota yhteys jälleenmyyjään.

**Huomio!** Älä pese tuotetta höyrystämillä äläkä laita sitä autoklaaviin. Se ei kestä korkeata lämpöä eikä painetta. Jollei annettuja puhdistusohjeita noudateta, on todennäköistä, että tuote kuluu käytössä nopeammin.

**Huomio!** Älä käytä hankaavia tai syövyttäviä puhdistusaineita tai teräviä välineitä tyynyn puhdistamiseen.

**Huomio!** Älä aseta Vicair O2 -tyynyn yläpuolta pesukoneen lasiluukkuu vasten.

### Vicair XXtra O2 -tyynyn puhdistaminen

- **Vicair XXtra O2 -päällisen puhdistaminen**  
Tyynynpäällinen voidaan pestä koneessa. Noudata päällisen sisäpuolella sijaitsevassa pesulapussa annettuja ohjeita. (60 °C = 140 °F)



### Vicair XXtra O2 -tyynyn puhdistaminen

Vicair O2 -tyynysi voidaan pestä pesukoneessa 60 °C:n/140 °F:n lämpötilassa käyttäen siliävien ohjelmaa ja mietoa pesuainetta. SmartCells-ilmakartioita ei tarvitse irrottaa ennen konepesua. Varmista, ettet aseta tyynyn yläpuolta pesukoneen lasiluukkuu vasten. Älä täytä konetta enempä kuin puolet sen maksimi täyttömäärästä. Vähennä linkousnopeutta. Jos koneessa on sekoitin, varmista, että tyyny pääsee liikkumaan vapaasti rummussa. Älä käytä klooria. Ei kuivapesua! Älä kuivaa Vicair O2 -tyynyä kuivaimessa vaan anna se kuivua vapaasti ilmassa. Voit ripustaa Vicair O2 -tyynyn pyykkinarulle.



### Vicair XXtra O2 -tyynyn desinfiointi

**Varoitus!** Jos tyyny on likaantunut kehon nesteistä ja eritteistä ja jos se luovutetaan toiselle käyttäjälle, se on desinfioitava ristikontaminaation ehkäisemiseksi. Puhdista tyyny ja päällinen yllä olevien ohjeiden mukaan. Käytä mieluiten bakteereja tuhoavaa pesuainetta. Suihkuta puhdistuksen jälkeen tyyny ja päällinen desinfiointiaineella. Taivuta osastoja ulospäin, jotta suihke menee myös rakoihin.

## TAKUU

---

Katso kaikki tiedot takuumenettelyistä ja -ehdoista osoitteesta [www.vicair.com](http://www.vicair.com).  
Vicair B.V. myöntää tuotteelle rajoitetun takuun, joka kattaa valmistusvirheet ja materiaalit, kunhan tuotetta käytetään normaalisti. Tuotteen väärinkäytöstä, virheellisestä käsittelystä, puhdistuksesta tai laiminlyönnistä johtuvat vahingot eivät kuulu takuun piiriin.

### Takuuaika

Alkuperäisestä ostopäivästä 24 kuukautta. Vicair O2 -tyynyn SmartCells-kartioilla on elinikäinen takuu.

Jos materiaalista tai valmistusvirheestä johtuva vika ilmenee ilmoitettuna takuuaikana, Vicair B.V. korjaa tai vaihtaa – oman valintansa mukaisesti – tuotteen maksutta. Tyynynpäällinen ei kuulu takuun piiriin. Tässä ilmoitettu takuu koskee pelkästään tuotteen korjausta tai vaihtoa. Takuu ei missään tapauksessa korvaa välillisiä vahinkoja, eikä korvaus ylitä viallisen tuotteen hintaa.

### Jäikö sinulle kysymyksiä?

Ota yhteys Vicair B.V.:hen osoitteessa [info@vicair.com](mailto:info@vicair.com) tai oman maasi Vicair-jakelijiaan.

Estimado cliente:

Gracias por elegir un producto Vicair®. Estamos seguros de que sabrá apreciar la simplicidad, fiabilidad y su fantástico efecto. Para realizar una instalación rápida, puede utilizar la guía de instalación rápida que se incluye con su cojín. Además, lea detenidamente este manual de usuario antes de utilizarlo. Guarde la guía de instalación rápida y el manual para poder consultarlos en el futuro.

Si necesita más información o desea volver a solicitar algún manual, póngase en contacto con el distribuidor de su país.

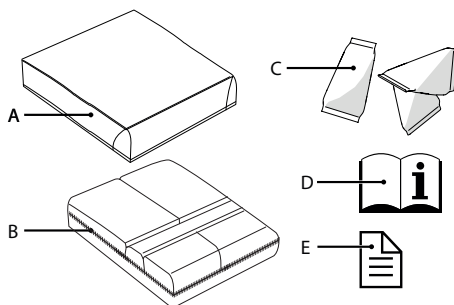
Consulte [www.vicair.com](http://www.vicair.com) para obtener información sobre los distribuidores.

## INTRODUCCIÓN

El cojín Vicair XXtra O2 es un cojín para asiento de silla de ruedas de tamaño grande que ofrece un nivel muy alto de protección cutánea para personas bariátricas que presentan un riesgo elevado de desarrollar úlceras de decúbito. Se utiliza para mejorar la postura corporal, para evitar úlceras de decúbito y para ofrecer comodidad y soporte corporal estable.

Constituye también un elemento adicional de alto rendimiento para el plan de tratamiento de una úlcera de decúbito (fase I-IV). El cojín Vicair XXtra O2 se puede lavar en la lavadora sin necesidad de retirar las celdas SmartCells.

## COMPONENTES PRINCIPALES



- A** Funda de cojín
- B** Cojín
- C** Celdas SmartCells™, situadas en 5 compartimentos
- D** Manual de usuario
- E** Guía de instalación rápida (Quick Installation Guide)

## ESPECIFICACIONES GENERALES DEL PRODUCTO

Nombre del producto:	Vicair XXtra O2
Fabricado por:	Vicair B.V., Países Bajos
Garantía:	24 meses
Peso (sin funda):	Tamaño pequeño: 0,5 kg / 1,1 libras Tamaño mediano: 0,8 kg / 1,8 libras Tamaño grande: 1 kg / 2,2 libras
Tamaños disponibles:	Consulte la tabla situada al dorso del manual.
Materiales utilizados:	No contienen látex
Cojín:	Parte superior hecha de tejido de poliéster con revestimiento de poliuretano, base de tejido de malla de poliéster
Relleno:	Celdas SmartCells rellenas de aire con un revestimiento de baja fricción

Funda de cojín O2 Top Cover: Parte superior: tela de poliéster tejida. Borde inferior: tela de poliéster con revestimiento antideslizante de poliuretano.

#### **Fundas de cojín alternativas:**

Funda de cojín Comfair Cover: Parte superior: tela de poliéster tejida. Laterales: tejido de malla de poliéster 3D. Parte inferior: tela de poliéster con revestimiento antideslizante de poliuretano.

Fundas de cojín Incotec Cover: Parte superior: tela de poliéster tejida, revestida con poliuretano transpirable resistente a los fluidos. Parte inferior: tela de poliéster con revestimiento antideslizante de poliuretano.

Todas las fundas: Se pueden lavar a máquina. Las fundas cumplen con las normas EN1021-1, 1021-2 y CAL117.

## **PRECAUCIONES E INSTRUCCIONES DE SEGURIDAD**

---

Un cojín para asiento de silla de ruedas Vicair solo puede utilizarse para tal fin. Si se utiliza este producto de otro modo, se considerará un mal uso. Vicair B.V. no se hará responsable de los daños provocados por un mal uso, un uso inadecuado o negligencia. Asegúrese de que lee y comprende este manual en su totalidad.

**Advertencia:** Vicair B.V. recomienda instalar el cojín Vicair XXtra O2 bajo la supervisión directa de un terapeuta o un asesor técnico.

**Advertencia:** El coxis y los huesos de la pelvis no deben tocar la base del cojín. Se debe comprobar si se produce "bottoming out" la primera vez que se usa el cojín y después de realizar ajustes en el relleno.

**Advertencia:** Compruebe regularmente si su piel se enrojece, especialmente durante los primeros días. Si aparecen rojeces y no desaparecen después de 15 minutos, consulte a su terapeuta o a su asesor técnico.

**Advertencia:** Vicair B.V. recomienda ajustar el relleno bajo la supervisión directa de su terapeuta o su asesor técnico.

**Advertencia:** Actualmente no existen datos de prueba sobre el uso seguro de los cojines para sillas de ruedas Vicair en vehículos a motor. Por lo tanto, no le recomendamos que use el cojín para sillas de ruedas en dichos vehículos.

**Advertencia:** En caso de contaminación con fluidos corporales, y cuando el cojín vaya a ser utilizado por un usuario diferente, se debe desinfectar el cojín para evitar posibles contagios.

**Advertencia:** Compruebe cada 3 meses el estado del cojín y si existen celdas rotas. Si se ha producido un daño importante o hay un gran número de celdas rotas, no continúe usando el cojín. Consulte a su distribuidor.

**Precaución:** No use ni deje el producto cerca de una llama o expuesto a una fuente de calor a alta temperatura.

**Precaución:** No limpie el producto con vapor o en un autoclave. El cojín no resiste las temperaturas o la presión excesivas. Si no se siguen las instrucciones de limpieza, es muy probable que tanto la funda como el cojín se deterioren más rápido.

**Precaución:** No utilice limpiadores agresivos o abrasivos, ni objetos cortantes para limpiar el cojín.

**Precaución:** No coloque la parte superior del cojín Vicair O2 contra el cristal de la puerta de la lavadora.

**Precaución:** Asegúrese de que el cojín no toca los radios de las ruedas.

## **INSTALACIÓN**

---

**Advertencia:** Vicair B.V. recomienda instalar el cojín Vicair XXtra O2 bajo la supervisión directa de un terapeuta o un asesor técnico.

**Precaución:** Asegúrese de que el cojín no toca los radios de las ruedas.

**Aviso:** Utilice siempre el cojín con una funda.

**Aviso:** Asegúrese de que el asiento de la silla de ruedas está limpio y sin grasa.

**Consejo:** Cuando prefiera no usar el velcro, sencillamente retire las tiras de velcro. Recuerde que no se pueden retirar las tiras cosidas a la base del cojín o de la funda.

### Realice los siguientes pasos al utilizar la funda de cojín O2 Top Cover

Estos pasos se corresponden con las imágenes de instalación 1-6 de la guía de instalación rápida:

- Compruebe el tamaño del cojín.  
El cojín debe tener la anchura (X) del asiento de la silla de ruedas. Cuando el cojín se apoye sobre los reposabrazos o las protecciones laterales, la anchura podrá ser de hasta 2,5 cm (1 pulgada) más ancha. El cojín debe tener la misma profundidad (Y) que el asiento.
- Compruebe que el tamaño de la funda se corresponde con el tamaño del cojín.
- Retire las bandas protectoras de las cintas de velcro autoadhesivas situadas en la base del cojín.
- Para colocar el cojín, presione con firmeza.
- Coloque la funda de cojín O2 Top Cover encima del cojín.
- Pase el nudo situado en la parte trasera del cojín a través del "ojal" situado en la parte de atrás de la funda.
- Siéntese sobre el cojín durante unos minutos para que se adapte a la forma de su cuerpo.
- Si es necesario, ajuste el/los reposapiés.

### Fundas de cojín alternativas

Realice los siguientes pasos al utilizar las fundas de cojín Comfair Cover o Incotec Cover.

- Compruebe el tamaño del cojín. El cojín debe tener la anchura (X) del asiento de la silla de ruedas. Cuando el cojín se apoye sobre los

reposabrazos o las protecciones laterales, la anchura podrá ser de hasta 2,5 cm (1 pulgada) más ancha. El cojín debe tener la misma profundidad (Y) que el asiento.

- Compruebe que el tamaño de la funda se corresponde con el tamaño del cojín.
- Retire las bandas protectoras de las cintas de velcro autoadhesivas situadas en la base del cojín.
- Introduzca el cojín en la funda.
- Pase el lazo por el ojal de la funda.
- Cierre la cremallera. Asegúrese de no dañar el cojín.
- Retire la banda protectora de las cintas de velcro autoadhesivas situadas en la funda del cojín.
- Para colocar el cojín, presione con firmeza.
- Siéntese sobre el cojín durante unos minutos para que se adapte a la forma de su cuerpo.
- Si es necesario, ajuste el/los reposapiés.

### Comprobación de "bottoming out":

Imagen 7: Guía de instalación rápida

**Advertencia:** El coxis y los huesos de la pelvis no deben tocar la base del cojín. Se debe comprobar si se produce "bottoming out" la primera vez que se usa el cojín y después de realizar ajustes en el relleno.

**Advertencia:** Vicair B.V. recomienda ajustar el relleno bajo la supervisión directa de su terapeuta o su asesor técnico.

- Compruebe si se ha producido "bottoming out" después de permanecer sentado sobre el cojín durante aproximadamente 5 minutos.
- Permita que el terapeuta o el asesor técnico deslice una mano entre sus nalgas y el cojín Vicair mientras usted mantiene el cuerpo inclinado hacia delante.
- Pídale a su terapeuta o a su asesor técnico que compruebe si sus protuberancias óseas inferiores se apoyan por lo menos sobre 2,5 cm / 1 pulgada de celdas SmartCells™.

- De este modo se evitará que toquen el asiento de la silla de ruedas.
- No utilice el cojín si se produce "bottoming out". En la mayoría de los casos, se solucionará el problema al ajustar el relleno de los compartimentos.

## USO

---

### Comprobación de rojeces en la piel

Imagen 8: Guía de instalación rápida

**Advertencia:** Compruebe regularmente si su piel se enrojece, especialmente durante los primeros días. Si aparecen rojeces y no desaparecen después de 15 minutos, consulte a su terapeuta o a su asesor técnico.

### Ajuste del relleno

**Advertencia:** Vicair B.V. recomienda ajustar el relleno bajo la supervisión directa de su terapeuta o su asesor técnico.

### Listo para su uso

Este producto Vicair está listo para su uso. Posee su propio relleno exclusivo, dependiendo del tamaño y el modelo, y regula automáticamente pequeñas oblicuidades. Sin embargo, en los casos en los que existe una asimetría más extrema, se pueden retirar celdas SmartCells de los distintos compartimentos, o añadirles, para ajustar el relleno. Encontrará el grado de relleno predeterminado en la etiqueta situada en el cojín.

### Condiciones de uso y almacenamiento

**Precaución:** No use ni deje el producto cerca de una llama o expuesto a una fuente de calor a alta temperatura.

- **Peso del usuario:**  
Mínimo: 100 kg/ 220 lbs,  
máximo: 500 kg/ 1102 libras
- **Temperatura:**  
Mínima: -20 °C / 4 °F,  
máxima: 55 °C / 131 °F

- **Uso a gran altura**

**Aviso:** Vicair B.V. recomienda no utilizar el cojín a más de 2.400 m (8.000 pies) sobre el nivel del mar o a menos de 50 m (164 pies) por debajo del nivel del mar. Dado que cada celda SmartCell™ está llena de aire, el comportamiento del cojín puede variar al ser utilizado en altitud o en un avión. En estos casos, se puede retirar unas pocas celdas de cada compartimento para ajustar la firmeza del cojín.

- **Humedad del aire:**

Mínima: 0%, máxima 100%

### Mullido diario

Vicair B.V. recomienda mullir el cojín Vicair antes de utilizarlo cada día.

### Uso de cojines para asientos Vicair en vehículos a motor

**Advertencia:** Actualmente no existen datos de prueba sobre el uso seguro de los cojines para sillas de ruedas Vicair en vehículos a motor. Por lo tanto, no le recomendamos que use el cojín para sillas de ruedas en dichos vehículos. Como alternativa al cojín para sillas de ruedas Vicair, se puede usar el cojín Vicair AllRounder O2 (que se puede abrochar al cuerpo del usuario) cuando se requiera protección adicional durante el transporte.

### Reutilización - Traspaso del producto a otro usuario

El producto es apto para un uso reiterado. El número de veces que puede utilizarse depende de la frecuencia y el modo en que se use el producto. El producto debe lavarse y desinfectarse perfectamente antes de que pueda ser utilizado por otra persona. Consulte el capítulo "Mantenimiento y limpieza" para leer las instrucciones al respecto.

**Aviso:** Asegúrese de que el producto se ajusta correctamente a la otra persona.

### Sustitución de la funda del cojín

Con un uso normal, Vicair B.V. recomienda cambiar la funda del cojín cada año. Las fundas de sustitución pueden adquirirse por separado.

### Eliminación

La eliminación y el reciclaje de dispositivos usados y sus embalajes deben cumplir con la normativa aplicable. Asegúrese de limpiar el producto antes de desecharlo para evitar cualquier riesgo de contaminación.

## MANTENIMIENTO Y LIMPIEZA

**Advertencia:** Compruebe cada 3 meses el estado del cojín y si existen celdas rotas. Si se ha producido un daño importante o hay un gran número de celdas rotas, no continúe usando el cojín. Consulte a su distribuidor.

**Precaución:** No limpie el producto con vapor o en un autoclave. No puede soportar las temperaturas o la presión excesivas. Si no se siguen las instrucciones de limpieza, es muy probable que el producto se deteriore más rápido.

**Precaución:** No utilice limpiadores agresivos o abrasivos, ni objetos cortantes para limpiar el cojín.

**Precaución:** No coloque la parte superior del cojín Vicair O2 contra el cristal de la puerta de la lavadora.

### Limpieza del cojín Vicair XXtra O2

- **Limpieza de la funda del Vicair XXtra O2**  
La funda del cojín puede lavarse a máquina. Siga las instrucciones de lavado que se indican en la etiqueta situada en el interior de la funda.

(60 °C=140 °F)



- **Limpieza del cojín Vicair XXtra O2**

El cojín Vicair O2 puede lavarse en la lavadora a 60 °C/140 °F. Utilice un programa antiarrugas y detergente suave. No es necesario retirar las celdas SmartCells antes de meter el cojín en la lavadora. Asegúrese de no colocar la parte superior del cojín contra el cristal de la puerta de la lavadora. No llene la lavadora con más de la mitad de la carga máxima. Utilice un centrifugado suave. Al utilizar una lavadora con agitador, asegúrese de que el cojín puede moverse libremente dentro del tambor. No utilice lejía ni opte por la limpieza en seco. No seque el cojín Vicair O2 en secadora; déjelo secar al aire. Puede utilizar el lazo para tender el cojín Vicair O2.



### Desinfección del Vicair XXtra O2

**Advertencia:** En caso de contaminación con fluidos corporales, y cuando el cojín vaya a ser utilizado por un usuario diferente, se debe desinfectar el cojín para evitar posibles contagios. Limpie el cojín y la funda de acuerdo con las instrucciones detalladas anteriormente. Preferiblemente, utilice un detergente antibacterias. Después de lavarlo, pulverice el cojín y la funda con un desinfectante. Pliegue los compartimentos hacia afuera para asegurarse de que el producto entra en todos los huecos.

## GARANTÍA

---

Consulte el sitio web [www.vicair.com](http://www.vicair.com) para obtener información completa sobre los procesos de garantía, así como los términos y condiciones.

Vicair B.V. ofrece una garantía limitada que cubre defectos de mano de obra y materiales, siempre y cuando se haya utilizado el producto de forma normal. Quedan excluidos de esta garantía los daños que se deriven de un uso anormal, así como los causados por una manipulación o limpieza inadecuadas, o por negligencia.

### **Periodo de garantía**

Desde la fecha original de compra: 24 meses.

Las SmartCells de este cojín Vicair O2 tienen un periodo de garantía ilimitado.

Si se detectase algún defecto en los materiales o en la mano de obra dentro del periodo de garantía mencionado anteriormente, Vicair B.V. decidirá si repara o sustituye el producto sin cargo alguno para el usuario. La garantía no incluye la funda.

Los recursos por incumplimiento de las garantías expresas se limitan a la reparación o sustitución del producto.

En ningún caso los daños por incumplimiento de la garantía incluirán daños subyacentes o superarán el coste de los productos no conformes vendidos.

---

### **¿Desea formular alguna pregunta?**

Póngase en contacto con Vicair B.V. en [info@vicair.com](mailto:info@vicair.com) o a través del distribuidor de Vicair en su país.

Caro cliente,

Obrigado por ter escolhido um produto Vicair®. Temos a certeza de que apreciará a sua simplicidade, fiabilidade e efeito surpreendente. Para uma instalação rápida, pode utilizar o guia de instalação rápida fornecido com a sua almofada. Além disso, leia atentamente e compreenda este manual de utilizador antes de utilizá-la. Guarde o guia de instalação rápida e este manual para referência futura.

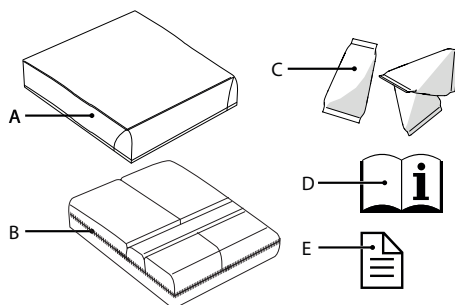
Para obter mais informações ou voltar a encomendar manual(s), entre em contacto com o distribuidor do seu país.

Visite [vicair.com](http://vicair.com) para mais informações sobre os distribuidores.

## INTRODUÇÃO

A Vicair XXtra O2 é uma almofada de assento para cadeiras de rodas que fornece um nível muito elevado de proteção da pele para pessoas bariátricas com um risco acrescido de desenvolvimento de úlceras de pressão. É utilizada para melhorar a postura corporal, para prevenir úlceras de pressão e proporcionar conforto e um apoio estável ao corpo. Constitui também um complemento altamente eficaz para um plano de tratamento de úlceras de pressão (fase I-IV). A almofada Vicair XXtra O2 pode ser lavada na máquina sem remover as SmartCells!

## PRINCIPAIS COMPONENTES



- A** Capa de almofada
- B** Almofada
- C** SmartCells™, colocadas em 5 compartimentos
- D** Manual de utilizador
- E** Guia de instalação rápida (Quick Installation Guide)

## ESPECIFICAÇÕES GERAIS DO PRODUTO

Nome do produto:	Vicair XXtra O2
Fabricado por:	Vicair B.V., Países Baixos
Garantia:	24 meses
Peso (excl. capa de almofada):	Tamanho mais pequeno: 0,5 kg / 1,1 lb Tamanho médio: 0,8 kg / 1,8 lb Tamanho maior: 1 kg / 2,2 lb
Tamanhos disponíveis:	Consulte a grelha na parte posterior do manual
Materiais utilizados:	Todos isentos de látex
Almofada:	Parte superior feita em tecido de poliéster com revestimento de poliuretano, parte inferior em tecido de malha poliéster
Enchimento:	SmartCells cheias de ar com revestimento de baixa fricção

Capa de almofada O2 Top Cover: Topo: Tecido em malha de poliéster. Borda inferior: Tecido de poliéster com revestimento de poliuretano antiderrapante.

#### **Capas de almofada alternativas:**

Capa de almofada Comfair Cover: Topo: Tecido em malha de poliéster. Laterais: Tecido em malha de poliéster 3D. Fundo: Tecido de poliéster com revestimento de poliuretano antiderrapante.

Capas de almofada Incotec Cover: Topo: Tecido em malha de poliéster, revestido a poliuretano respirável resistente. Fundo: Tecido de poliéster com revestimento de poliuretano antiderrapante.

Todas as capas: Laváveis na máquina. As capas estão em conformidade com as normas EN1021-1, 1021-2 e CAL117.

## **PRECAUÇÕES E INSTRUÇÕES DE SEGURANÇA**

---

Uma almofada de assento de cadeira de rodas Vicair só pode ser utilizada como almofada de assento para cadeiras de rodas. A utilização deste produto de qualquer outra forma é considerada como sendo de uso indevido. A Vicair B.V. não pode ser responsabilizada por danos causados pelo uso indevido, inadequado ou por negligência. Certifique-se de que lê e compreende este manual na íntegra.

**Aviso!** A Vicair B.V. recomenda a instalação da Vicair XXtra O2 sob supervisão direta de um terapeuta ou consultor técnico.

**Aviso!** O cóccix e o osso íliaco não devem tocar na parte inferior da almofada. A verificação do contacto correto com a parte inferior) deve ser efetuada durante a primeira utilização e depois de adaptar o enchimento da almofada.

**Aviso!** Verifique regularmente se a sua pele apresenta vermelhidão, em particular nos primeiros dias. Se ocorrer vermelhidão que não desaparece ao fim de 15 minutos, consulte o

seu terapeuta ou consultor técnico.

**Aviso!** A Vicair B.V. recomenda a adaptação do nível de enchimento sob supervisão direta do seu terapeuta ou consultor técnico.

**Aviso!** Não estão atualmente disponíveis dados de testes sobre a utilização segura das almofadas Vicair para cadeiras de rodas em veículos motorizados. Por conseguinte, não recomendamos o uso da almofada de cadeira de rodas em veículos motorizados.

**Aviso!** Caso a almofada fique suja com fluidos corporais, e quando o produto é transferido para outro utilizador, deve ser desinfetado para evitar a contaminação cruzada.

**Aviso!** A cada três meses, verifique se o produto está desgastado ou apresenta células vazias. Em caso de danos graves ou se várias células estiverem vazias, deixe de usar o produto. Consulte o seu revendedor.

**Cuidado!** Não utilize nem deixe o produto próximo de uma chama desprotegida ou fonte de calor a alta temperatura.

**Cuidado!** Não limpe o produto com vapor nem trate com autoclave. O produto não foi concebido para suportar calor ou pressão excessivos. Quando as instruções de limpeza fornecidas não forem cumpridas, é provável que o produto e/ou capa do produto se desgaste mais rapidamente.

**Cuidado!** Não utilize produtos de limpeza agressivos ou abrasivos nem objetos afiados para limpar a almofada.

**Cuidado!** Não coloque o topo da almofada Vicair O2 contra o vidro da máquina de lavar.

**Cuidado!** Certifique-se de que a almofada não interfere com os raios da roda.

## **INSTALAÇÃO**

---

**Aviso!** A Vicair B.V. recomenda a instalação da Vicair XXtra O2 sob supervisão direta de um terapeuta ou consultor técnico.

**Cuidado!** Certifique-se de que a almofada não interfere com os raios da roda.

**Nota!** Utilize sempre a almofada com capa.

**Nota!** Certifique-se de que o assento da cadeira de rodas está limpo e desengordurado.

**Sugestão:** Se preferir não usar velcro, pode remover as tiras de velcro. Tenha em atenção que as tiras colocadas na parte inferior da almofada e/ou na capa da almofada não podem ser removidas.

### **Execute as seguintes etapas ao usar a Capa de almofada O2 Top Cover**

Estes pontos correspondem às imagens 1-6 da instalação no Guia de instalação rápida:

- Verifique o tamanho da almofada.  
As larguras (X) da almofada e do assento devem corresponder. Quando a almofada está encostada aos apoios de braços ou guardas laterais, a largura pode ser até 2,5 cm (1") mais larga. As profundidades (Y) da almofada e do assento devem corresponder.
- Verifique se o tamanho da capa corresponde ao tamanho da almofada.
- Retire a fita de suporte de proteção das tiras de velcro autoadesivas fixadas na parte inferior da almofada.
- Coloque a almofada pressionando firmemente.
- Coloque a Capa de almofada O2 Top Cover sobre a parte superior da almofada.
- Passe o laço na parte posterior da almofada, através da botoeira, na parte posterior da capa.
- Sente-se sobre a almofada durante alguns minutos, para permitir que a almofada se adapte à forma do seu corpo.
- Se necessário, ajuste o(s) apoio(s) para os pés.

### **Capas de almofada alternativas**

Siga os seguintes passos quando utiliza a capa de almofada Comfair Cover ou Incotec Cover.

- Verifique o tamanho da almofada.  
As larguras (X) da almofada e do assento devem corresponder. Quando a almofada está encostada aos apoios de braços ou

guardas laterais, a largura pode ser até 2,5 cm (1") mais larga. As profundidades (Y) da almofada e do assento devem corresponder.

- Verifique se o tamanho da capa corresponde ao tamanho da almofada.
- Remova as tiras de velcro da parte inferior da almofada. Tenha em atenção que as tiras cosidas à parte inferior da almofada não podem ser removidas.
- Coloque a almofada na capa.
- Passe o aro através do olhal da capa.
- Feche o fecho de correr. Tenha cuidado para não danificar a almofada.
- Retire a fita de suporte de proteção das tiras de velcro autoadesivas fixadas na capa da almofada.
- Coloque a almofada pressionando firmemente.
- Sente-se sobre a almofada durante alguns minutos, para permitir que a almofada se adapte à forma do seu corpo.
- Se necessário, ajuste o(s) apoio(s) para os pés.

### **Verificação do contacto correto com a parte inferior:**

Imagem 7 - Guia de instalação rápida

**Aviso!** O cóccix e o osso íliaco não devem tocar na parte inferior da almofada. A verificação do contacto correto com a parte inferior) deve ser efetuada durante a primeira utilização e depois de adaptar o enchimento da almofada.

**Aviso!** A Vicair B.V. recomenda a adaptação do nível de enchimento sob supervisão direta do seu terapeuta ou consultor técnico.

- Verifique o contacto correto com a parte inferior depois de se sentar na almofada durante cerca de 5 minutos.
- Deixe o seu terapeuta ou consultor técnico deslizar a mão entre as suas nádegas e a almofada Vicair enquanto se inclina para a frente.
- Peça ao seu terapeuta ou consultor técnico para verificar se as suas tuberosidades isquiáticas estão apoiadas em pelo menos

- 2,5 cm de SmartCells™. Evitará assim que estas toquem no assento da cadeira de rodas.
- Não utilize a almofada se o contacto com a parte inferior for excedido. Na maioria dos casos, o problema fica resolvido ao adaptar o nível de enchimento dos compartimentos.

## UTILIZAÇÃO

---

### Verificação de vermelhidão na pele

Imagem 8 - Guia de instalação rápida

**Aviso!** Verifique regularmente se a sua pele apresenta vermelhidão, em particular nos primeiros dias. Se ocorrer vermelhidão que não desaparece ao fim de 15 minutos, consulte o seu terapeuta ou consultor técnico.

### Adaptação do grau de enchimento

**Aviso!** A Vicair B.V. recomenda a adaptação do nível de enchimento sob supervisão direta do seu terapeuta ou consultor técnico.

### Pronta para a utilização

Este produto Vicair está pronto para ser utilizado. Tem o seu próprio nível de enchimento único, dependendo do tamanho e do modelo, e ajusta automaticamente pequenas posições oblíquas. No entanto, caso seja necessário apoiar assimetrias mais acentuadas, o nível de enchimento pode ser adaptado, acrescentando ou removendo SmartCells aos/dos vários compartimentos. Encontrará informações sobre o nível de enchimento padrão na etiqueta fixada na almofada.

### Condições de utilização e armazenamento

**Cuidado!** Não utilize nem deixe o produto próximo de uma chama desprotegida ou fonte de calor a alta temperatura.

- **Peso do utilizador:**  
Mínimo: 100 kg/ 220 lb,  
máximo: 500 kg/ 1102 lb

- **Temperatura:**  
Mínimo: -20 °C / 4 °F, máximo: 55 °C / 131 °F
- **Utilização em altitudes elevadas**  
**Nota!** A Vicair B.V. recomenda não utilizar a almofada a uma altitude superior a 2400 m (8000 pés) acima do nível do mar ou inferior a 50 m (164 pés) abaixo do nível do mar. Dado que cada SmartCell se encontra preenchida com ar, a almofada pode comportar-se de forma diferente quando utilizada em altitudes elevadas ou num avião. Nestas circunstâncias, a firmeza da almofada pode ser ajustada removendo algumas células de cada compartimento.
- **Humidade do ar:**  
Mínimo: 0%, máximo 100%

### Afobar diariamente

A Vicair B.V. recomenda afobar diariamente a sua almofada Vicair antes de utilizá-la.

### Utilização das almofadas de assento Vicair em veículos motorizados

**Aviso!** Não estão atualmente disponíveis dados de testes sobre a utilização segura das almofadas Vicair para cadeiras de rodas em veículos motorizados. Por conseguinte, não recomendamos o uso da almofada de cadeira de rodas em veículos motorizados. Como alternativa à sua almofada para cadeira de rodas Vicair, pode ser utilizado o Vicair AllRounder O2 (que pode ser fixo ao corpo do utilizador) caso precise de uma proteção adicional durante o transporte.

### Reutilização – Transferência do produto para outro utilizador

O produto é adequado para várias utilizações. O número de vezes que pode ser utilizado depende da frequência e do modo de utilização do produto. O produto tem de ser cuidadosamente limpo e desinfetado antes de permitir que outra pessoa o utilize. Consulte o

capítulo «Manutenção e limpeza» para obter instruções.

**Nota!** Certifique-se de que o produto está devidamente adaptado à outra pessoa.

### Substituição da capa da almofada

Em condições de utilização normal, a Vicair B.V. recomenda substituir a almofada anualmente. As capas de substituição podem ser adquiridas separadamente.

### Eliminação

A eliminação e reciclagem de dispositivos e embalagens usadas deve ser feita em conformidade com as regulamentações legais aplicáveis. Antes de proceder à sua eliminação, certifique-se de que o produto se encontra limpo, para se evitar quaisquer riscos de contaminação.

## MANUTENÇÃO E LIMPEZA

**Aviso!** A cada três meses, verifique se o produto está desgastado ou apresenta células vazias. Em caso de danos graves ou se várias células estiverem vazias, deixe de usar o produto. Consulte o seu revendedor.

**Cuidado!** Não limpe o produto com vapor nem trate com autoclave. O produto não foi concebido para suportar calor ou pressão excessiva. Quando as instruções de limpeza fornecidas não são cumpridas, é provável que o produto se desgaste mais rapidamente.

**Cuidado!** Não utilize produtos de limpeza agressivos ou abrasivos nem objetos afiados para limpar a almofada.

**Cuidado!** Não coloque o topo da almofada Vicair O2 contra o vidro da máquina de lavar.

### Limpeza da Vicair XXtra O2

#### • Limpeza da capa de almofada Vicair XXtra O2

A capa da almofada pode ser lavada na máquina. Siga as instruções de lavagem na etiqueta fixada na parte interna da capa. (60 °C=140 °F)



#### • Limpeza da almofada Vicair XXtra O2

A sua almofada Vicair O2 pode ser lavada na máquina a 60 °C/140 °F num programa anti vincos com um detergente suave. Não precisa de remover as SmartCells antes de colocar a almofada na máquina de lavar. Certifique-se de que o topo da almofada não é colocado contra o vidro da máquina de lavar. Não carregue a máquina com um peso superior a metade da sua capacidade máxima. A velocidade de centrifugação deve ser reduzida. Ao utilizar uma máquina com agitador, certifique-se de que a almofada se movimentava livremente dentro do tambor. Não utilize lixívia nem lave a seco! Não coloque a sua almofada Vicair O2 na máquina de secar, deixe-a secar ao ar livre. Pode usar a fita para estender a almofada Vicair O2 num estendal de roupa.



#### Desinfecção da sua Vicair XXtra O2

**Aviso!** Caso a almofada fique suja com fluidos corporais, e quando o produto é transferido para outro utilizador, deve ser desinfetado para evitar a contaminação cruzada. Limpe a almofada e a capa seguindo as instruções acima. Utilize de preferência um detergente antibacteriano. Depois de limpar, pulverize um agente desinfetante na sua almofada e capa. Dobre os compartimentos para fora para se certificar de que o agente penetra em todos os espaços.

## **GARANTIA**

---

Consulte [www.vicair.com](http://www.vicair.com) para obter informações completas sobre os processos de garantia, termos e condições.

A Vicair B.V. oferece uma garantia limitada contra defeitos de fabrico e materiais, desde que o produto seja utilizado normalmente.

Quaisquer danos decorrentes de uma utilização indevida ou causados por um manuseio ou limpeza inadequados, ou por negligência, estão excluídos desta garantia.

### **Período de garantia**

A contar da data original da compra: 24 meses.

As SmartCells desta almofada Vicair O2 beneficiam de garantia vitalícia.

Caso seja detetado um defeito de material ou mão-de-obra dentro do período de garantia acima indicado, a Vicair B.V. reparará ou substituirá o produto gratuitamente a seu próprio critério. A capa de almofada está excluída desta garantia.

Os recursos em caso de violação de garantias expressas no presente documento estão limitados à reparação ou substituição do produto.

As indemnizações por violação de qualquer garantia não incluem, em caso algum, danos consequenciais nem excedem o custo dos produtos vendidos não conformes.

---

### **Tem dúvidas?**

Contacte a Vicair B.V. em [info@vicair.com](mailto:info@vicair.com) ou contacte o distribuidor Vicair do seu país.

Gentile cliente,  
Grazie per aver scelto un prodotto Vicair®. Siamo sicuri che ne apprezzerete la semplicità, l'affidabilità e la fantastica efficacia. Per una rapida installazione è possibile utilizzare la guida di installazione rapida fornita con il cuscino. Inoltre si consiglia di leggere e comprendere il presente manuale prima dell'uso. Conservare sia la guida di installazione rapida che il presente manuale per farvi riferimento in futuro.

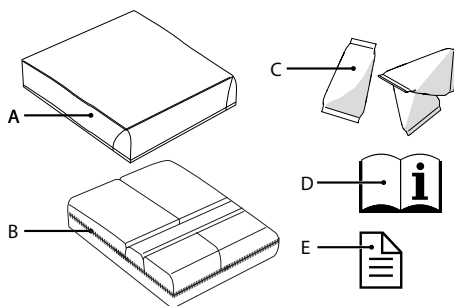
Per maggiori informazioni o per riordinare i manuali, contattare il distributore nel proprio paese.

Visitare [vicair.com](http://vicair.com) per informazioni sui distributori.

## INTRODUZIONE

Vicair XXtra O2 è un cuscino per carrozzine di grandi dimensioni che fornisce un livello molto elevato di protezione cutanea per individui bariatrici ad alto rischio di sviluppo di lesioni da decubito. Viene utilizzato per migliorare la postura corporea, per prevenire le lesioni da decubito e per fornire comfort e un supporto stabile al corpo. Inoltre è anche una preziosa aggiunta dalle alte prestazioni per i piani terapeutici delle lesioni da decubito (fase I-IV). Il cuscino Vicair XXtra O2 può essere lavato in lavatrice senza la necessità di rimuovere le SmartCells!

## COMPONENTI PRINCIPALI



- A** Fodera del cuscino
- B** Cuscino
- C** SmartCells™, situate in 5 settori
- D** Manuale utente
- E** Guida di installazione rapida (Quick Installation Guide)

## SPECIFICHE GENERALI DEL PRODOTTO

Nome del prodotto:	Vicair XXtra O2
Prodotto da:	Vicair B.V., Paesi Bassi
Garanzia:	24 mesi
Peso (esclusa la fodera):	Taglia piccola: 0,5 kg / 1,1 lbs Taglia media: 0,8 kg / 1,8 lbs Taglia grande: 1 kg / 2,2 lbs
Taglie disponibili:	Vedere la griglia sul retro del manuale
Materiali utilizzati:	Tutti privi di lattice
Cuscino:	Parte superiore in tessuto di poliestere con rivestimento in poliuretano, parte inferiore in tessuto di poliestere a rete
Imbottitura:	SmartCells riempite d'aria con rivestimento a basso attrito

Fodera di rivestimento O2 Top Cover: Parte superiore: tessuto in poliestere. Bordo inferiore: tessuto in poliestere con rivestimento in poliuretano anti-scivolo.

#### **Fodere del cuscino alternative:**

Fodera di rivestimento Comfair Cover: Parte superiore: tessuto in poliestere. Lati: tessuto a maglia tridimensionale in poliestere. Parte inferiore: tessuto in poliestere con rivestimento in poliuretano anti-scivolo.

Fodere di rivestimento Incotec Cover: Parte superiore: tessuto a maglia in poliestere rivestito in poliuretano traspirante fluido resistente. Parte inferiore: tessuto in poliestere con rivestimento in poliuretano anti-scivolo.

Tutte le fodere: Lavabili in lavatrice. Le fodere rispettano le norme EN1021-1, 1021-2 e CAL117.

## **PRECAUZIONI E ISTRUZIONI DI SICUREZZA**

---

Un cuscino per carrozzine Vicair può essere utilizzato solo per lo scopo previsto. L'utilizzo del prodotto in qualsiasi altro modo è considerato un utilizzo improprio. Vicair B.V. declina ogni responsabilità per danni causati da utilizzo improprio o errato o da negligenza. Assicurarsi di leggere e comprendere il manuale pienamente.

**Avvertenza!** Vicair B.V. consiglia di installare Vicair XXtra O2 sotto la diretta supervisione di un terapeuta o consulente tecnico.

**Avvertenza!** Il coccige e le ossa del bacino non devono toccare il fondo del cuscino. Il controllo dello "sprofondamento" deve essere eseguito durante il primo utilizzo e quindi dopo ogni regolazione dell'imbottitura del cuscino.

**Avvertenza!** Controllare periodicamente la cute

per verificare che non vi siano arrossamenti, in particolare durante i primi giorni. Se si verificano arrossamenti che non scompaiono dopo 15 minuti, consultare il proprio terapeuta o consulente tecnico.

**Avvertenza!** Vicair B.V. consiglia di regolare il livello di imbottitura sotto la diretta supervisione di un terapeuta o consulente tecnico.

**Avvertenza!** Al momento non sono disponibili dati di collaudo relativi all'utilizzo sicuro dei cuscini per carrozzine Vicair in autoveicoli. Pertanto ne sconsigliamo l'uso in tali veicoli.

**Avvertenza!** Disinfettare il prodotto per evitare contaminazioni incrociate nel caso il cuscino venga sporcato con fluidi corporei o se lo si cede a un altro utente.

**Avvertenza!** Controllare l'usura del prodotto ed eventuali celle sgonfie ogni tre mesi. In caso di danni gravi o di una grande quantità di celle sgonfie, non continuare a utilizzare il prodotto. Consultare il rivenditore.

**Attenzione!** Non utilizzare né lasciare il prodotto vicino a fiamme libere o a fonti di calore ad alta temperatura.

**Attenzione!** Non pulire il prodotto a vapore, né con un'autoclave. Il prodotto non è in grado di resistere a calore o pressione eccessivi. Se le istruzioni di pulizia fornite non dovessero essere seguite, è molto probabile che il prodotto e/o la sua fodera si usurino più rapidamente.

**Attenzione!** Non utilizzare detergenti aggressivi o abrasivi, né oggetti acuminati, per pulire il cuscino.

**Attenzione!** Non appoggiare la parte superiore del cuscino Vicair O2 contro il vetro dello sportello della lavatrice.

**Attenzione!** Assicurarsi che il cuscino non possa interferire con i raggi delle ruote.

## INSTALLAZIONE

---

**Avvertenza!** Vicair B.V. consiglia di installare Vicair XXtra O2 sotto la diretta supervisione di un terapeuta o consulente tecnico.

**Attenzione!** Assicurarsi che il cuscino non possa interferire con i raggi delle ruote.

**Nota!** Utilizzare sempre il cuscino con la fodera.

**Nota!** Assicurarsi che il sedile della carrozzina sia pulito e sgrassato.

**Suggerimento:** Se si preferisce non utilizzare il velcro, è possibile rimuovere gli ancoraggi in velcro. Tenere presente che gli ancoraggi presenti sul fondo del cuscino e/o della fodera non possono essere rimossi.

### Attenersi ai passaggi seguenti per l'uso della fodera di rivestimento O2 Top Cover

Questi passaggi corrispondono alle immagini di installazione 1-6 della guida di installazione rapida:

- Controllare le dimensioni del cuscino. La larghezza (X) del cuscino deve corrispondere a quella del sedile. Quando il cuscino è appoggiato contro i braccioli o i ripari laterali, la larghezza può essere fino a 2,5 cm (1") in eccesso. La profondità (Y) del cuscino deve corrispondere a quella del sedile.
- Controllare che le dimensioni della fodera corrispondano alle dimensioni del cuscino.
- Rimuovere i nastri protettivi dagli ancoraggi in velcro autoadesivi fissati sul fondo del cuscino.
- Posizionare il cuscino, premendolo saldamente.
- Posizionare la fodera di rivestimento O2 Top Cover sulla parte superiore del cuscino.
- Passare l'anello nella parte posteriore del cuscino attraverso l'asola nella parte posteriore della fodera.
- Sedersi sul cuscino per alcuni minuti per permettere al cuscino di adattarsi alla forma del corpo.
- Se necessario, regolare i poggiatesta.

### Fodere del cuscino alternative

Eseguire i passaggi seguenti se si utilizza la fodera Comfair Cover o Incotec Cover.

- Controllare le dimensioni del cuscino. La larghezza (X) del cuscino deve corrispondere a quella del sedile. Quando il cuscino è appoggiato contro i braccioli o i ripari laterali, la larghezza può essere fino a 2,5 cm (1") in eccesso. La profondità (Y) del cuscino deve corrispondere a quella del sedile.
- Controllare che le dimensioni della fodera corrispondano alle dimensioni del cuscino.
- Rimuovere gli ancoraggi in velcro dal fondo del cuscino. Tenere presente che gli ancoraggi presenti sul fondo del cuscino non possono essere rimossi.
- Infilare il cuscino nella fodera.
- Passare il nastro attraverso l'occhiello nella fodera.
- Chiudere la zip. Assicurarsi di non danneggiare il cuscino.
- Rimuovere i nastri protettivi dagli ancoraggi in velcro autoadesivi fissati sul fondo della fodera del cuscino.
- Posizionare il cuscino, premendolo saldamente.
- Sedersi sul cuscino per alcuni minuti per permettere al cuscino di adattarsi alla forma del corpo.
- Se necessario, regolare i poggiatesta.

### Controllare che non si verifichi un effetto di "sprofondamento":

Immagine 7 - Guida di installazione rapida

**Avvertenza!** Il coccige e le ossa del bacino non devono toccare il fondo del cuscino. Il controllo dello "sprofondamento" deve essere eseguito durante il primo utilizzo e quindi dopo ogni regolazione dell'imbottitura del cuscino.

**Avvertenza!** Vicair B.V. consiglia di regolare il livello di imbottitura sotto la diretta supervisione di un terapeuta o consulente tecnico.

- Controllare che il cuscino non presenti sprofondamenti dopo averlo utilizzato per circa 5 minuti.
- Lasciare che il terapeuta o il consulente tecnico infili una mano fra le natiche e il cuscino Vicair, mentre ci si sporge in avanti.
- Richiedere al terapeuta o al consulente tecnico di verificare che le sporgenze ossee inferiori siano supportate da almeno 2,5 cm / 1" di SmartCells™. Questo impedisce che tocchino il sedile della carrozzina.
- Non utilizzare il cuscino se si verifica lo sprofondamento. Nella maggior parte dei casi il problema può essere risolto regolando il grado di imbottitura dei settori.

## UTILIZZO

### Controllo dell'arrossamento della cute

Immagine 8 - Guida di installazione rapida

**Avvertenza!** Controllare periodicamente la cute per verificare che non vi siano arrossamenti, in particolare durante i primi giorni. Se si verificano arrossamenti che non scompaiono dopo 15 minuti, consultare il proprio terapeuta o consulente tecnico.

### Regolazione del grado di imbottitura

**Avvertenza!** Vicair B.V. consiglia di regolare il livello di imbottitura sotto la diretta supervisione di un terapeuta o consulente tecnico.

### Pronto all'uso

Questo prodotto Vicair è pronto all'uso. Dispone di un suo esclusivo grado di imbottitura, a seconda della dimensione e del modello e gestisce automaticamente le piccole inclinazioni. Tuttavia, se è necessario supportare un'asimmetria più estrema, il grado di imbottitura può essere regolato rimuovendo o aggiungendo SmartCells nei vari settori. Il grado di imbottitura predefinito è indicato sull'etichetta fissata sul cuscino.

## Condizioni di utilizzo e conservazione

**Attenzione!** Non utilizzare né lasciare il prodotto vicino a fiamme libere o a fonti di calore ad alta temperatura.

### • **Peso dell'utente:**

Minimo: 100 kg/ 220 lbs

massimo: 500 kg/ 1102

### • **Temperatura:**

Minima: -20 °C / 4 °F, massima: 55 °C / 131 °F

### • **Utilizzo ad altitudini elevate**

**Nota!** Vicair B.V. consiglia di non utilizzare il cuscino ad altitudini superiori a 2400 m (8000 ft) sul livello del mare o inferiori a 50 m (164 ft) sotto al livello del mare. Poiché ciascuna SmartCell è riempita d'aria, il cuscino potrebbe comportarsi diversamente se utilizzato ad altitudini elevate o in aereo. In tali circostanze, la rigidità del cuscino può essere regolata rimuovendo alcune celle da ciascun settore.

### • **Umidità dell'aria:**

Minima: 0%, massima 100%

## Cura quotidiana

Vicair B.V. consiglia di dare volume al cuscino Vicair quotidianamente prima dell'utilizzo.

## Utilizzo dei cuscini Vicair in autoveicoli

**Avvertenza!** Al momento non sono disponibili dati di collaudo relativi all'utilizzo sicuro dei cuscini per carrozzine Vicair in autoveicoli. Pertanto ne sconsigliamo l'uso in tali veicoli. Alternativamente al cuscino per carrozzina Vicair, il cuscino Vicair AllRounder O2 (che può essere fissato al corpo dell'utente) può essere utilizzato se è necessaria una protezione aggiuntiva durante il trasporto.

## Riutilizzo - Cessione del prodotto a un altro utente

Il prodotto è adatto all'uso ripetuto. Il numero di volte che può essere utilizzato dipende da quanto spesso e in che modo viene utilizzato il

prodotto. Il prodotto deve essere pulito e disinfettato a fondo prima di consentirne l'utilizzo da parte di un altro individuo. Fare riferimento al capitolo 'Manutenzione e pulizia' per ulteriori istruzioni.

**Nota!** Assicurarsi che il prodotto sia regolato correttamente per l'altra persona.

### Sostituzione della fodera del cuscino

In condizioni di normale utilizzo Vicair B.V. consiglia di sostituire la fodera del cuscino una volta all'anno. Le fodere di ricambio possono essere acquistate separatamente.

### Smaltimento

Lo smaltimento e il riciclaggio dei dispositivi usati e degli imballaggi devono rispettare le normative di legge in vigore. Assicurarsi che il prodotto sia pulito prima dello smaltimento per evitare eventuali rischi di contaminazione.

## MANUTENZIONE E PULIZIA

**Avvertenza!** Controllare l'usura del prodotto ed eventuali celle sgonfie ogni tre mesi. In caso di danni gravi o di una grande quantità di celle sgonfie, non continuare a utilizzare il prodotto. Consultare il rivenditore.

**Attenzione!** Non pulire il prodotto a vapore, né con un'autoclave. Non è in grado di resistere a calore o pressione eccessivi. Se le istruzioni di pulizia fornite non dovessero essere seguite, è molto probabile che il prodotto si usuri più rapidamente.

**Attenzione!** Non utilizzare detergenti aggressivi o abrasivi, né oggetti acuminati, per pulire il cuscino.

**Attenzione!** Non appoggiare la parte superiore del cuscino Vicair O2 contro il vetro dello sportello della lavatrice.

### Pulizia di Vicair XXtra O2

#### • Pulizia della fodera del cuscino Vicair XXtra O2

La fodera del cuscino può essere lavata in lavatrice. Seguire le istruzioni di lavaggio presenti sull'etichetta fissata all'interno della fodera. (60 °C = 140 °F)



#### • Pulizia del cuscino Vicair XXtra O2

Il cuscino Vicair O2 può essere lavato in lavatrice a 60°C / 140°F con un ciclo anti-pieghe e un detergente delicato. Non è necessario rimuovere le SmartCells prima di inserire il cuscino in lavatrice. Assicurarsi che la parte superiore del cuscino non sia appoggiata contro il vetro dello sportello della lavatrice. Non caricare la lavatrice per più della metà del suo carico massimo. Ridurre la velocità di centrifuga. Se si utilizza una macchina con agitatore, assicurarsi che il cuscino possa muoversi liberamente all'interno del tamburo. Non utilizzare candeggina a base di cloro e non lavare a secco! Non asciugare il cuscino Vicair O2 a macchina, ma lasciarlo asciugare all'aria. È possibile utilizzare la fascia per appendere il cuscino Vicair O2 ad asciugare.



### Disinfezione di Vicair XXtra O2

**Avvertenza!** Disinfettare il prodotto per evitare contaminazioni incrociate nel caso il cuscino venga sporcato con fluidi corporei o se lo si cede a un altro utente. Pulire il cuscino e la fodera come indicato sopra. È preferibile utilizzare un detergente antibatterico. Dopo la pulizia, spruzzare del disinfettante sul cuscino e sulla fodera. Piegare i settori verso l'esterno per assicurarsi che lo spray raggiunga tutti gli spazi vuoti.

## GARANZIA

---

Visitare il sito [www.vicair.com](http://www.vicair.com) per avere informazioni complete relative ai processi di garanzia, ai termini e condizioni.

Vicair B.V. offre una garanzia limitata relativa a difetti di fabbricazione o nei materiali, a condizione che ne sia stato fatto un uso proprio. Eventuali danni derivanti da un uso improprio o da manipolazione e pulizia improprie o negligenza è escluso da questa garanzia.

### **Periodo di garanzia**

Dalla data di acquisto originale: 24 mesi.

Le SmartCells in questo cuscino Vicair O2 sono coperte da garanzia per la loro intera durata.

In caso di difetto imputabile alla produzione o ai materiali entro il suddetto periodo di garanzia, Vicair B.V. si riserva il diritto di riparare o sostituire il prodotto gratuitamente, a propria discrezione. La fodera del cuscino è esclusa dalla garanzia. L'indennizzo per la violazione delle presenti garanzie esplicitate è limitato alla riparazione o sostituzione del prodotto.

In nessun caso danni dovuti alla violazione di eventuali garanzie includeranno danni consequenziali né supereranno il costo degli articoli non conformi venduti.

---

### **Domande?**

Contattare Vicair B.V. a [info@vicair.com](mailto:info@vicair.com) oppure contattare il distributore Vicair nel proprio paese.

Αγαπητέ πελάτη,

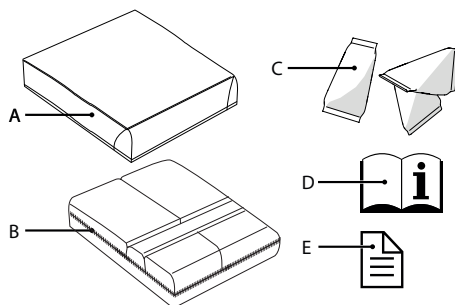
Ευχαριστούμε που επιλέξατε το προϊόν Vicair®. Θα εκτιμήσετε σίγουρα την απλότητα, την αξιοπιστία και το εκπληκτικό αποτέλεσμα. Για γρήγορη εγκατάσταση μπορείτε να χρησιμοποιήσετε τον οδηγό γρήγορης εγκατάστασης που παρέχεται με το μαξιλάρι σας. Επίσης, παρακαλούμε διαβάστε και κατανοήστε αυτό το εγχειρίδιο χρήσης πριν την χρήση. Αποθηκεύστε τον οδηγό γρήγορης εγκατάστασης και αυτό το εγχειρίδιο για μελλοντική αναφορά.

Για περισσότερες πληροφορίες ή για να ξαναπαραγγείλετε το εγχειρίδιο, επικοινωνήστε με τον αντιπρόσωπο της χώρας σας. Πληροφορίες αντιπροσώπων στο [vicair.com](http://vicair.com).

## ΕΙΣΑΓΩΓΗ

Το Vicair XXtra O2 είναι ένα μαξιλάρι καθίσματος αναπηρικού αμαξιδίου, το οποίο παρέχει υψηλό βαθμό προστασίας στην επιδερμίδα για άτομα υψηλής επικινδυνότητας στη δημιουργία έλκους κατάκλισης. Χρησιμοποιείται για να βελτιώνει τη στάση του σώματος, για την πρόληψη του έλκους κατάκλισης και για να παρέχει άνεση και σταθερότητα στη στήριξη του σώματος. Είναι επίσης μια πρόσθεση υψηλής απόδοσης σ' ένα σχέδιο θεραπείας για το έλκος κατάκλισης (στάδιο 1-4). Το μαξιλάρι Vicair XXtra O2 πλένεται στο πλυντήριο ρούχων χωρίς να αφαιρέσετε τα SmartCells!

## ΚΥΡΙΑ ΣΥΣΤΑΤΙΚΑ



- A** Κάλυμμα μαξιλαριού
- B** Μαξιλάρι
- Γ** SmartCells™, τοποθετούνται σε 5 θαλάμους
- Δ** Εγχειρίδιο χρήσης
- E** Οδηγός γρήγορης εγκατάστασης (Quick Installation Guide)

## ΓΕΝΙΚΕΣ ΠΡΟΔΙΑΓΡΑΦΕΣ ΠΡΟΪΟΝΤΟΣ

Όνομα προϊόντος:	Vicair XXtra O2
Κατασκευαστής:	Vicair B.V., Ολλανδία
Εγγύηση:	24 μήνες
Βάρος (χωρίς το κάλυμμα):	Μικρότερο μέγεθος: 0,5 kg / 1,1 lbs Μεσαίο μέγεθος: 0,8 kg / 1,8 lbs Μεγαλύτερο μέγεθος: 1 kg / 2,2 lbs
Διαθέσιμα μεγέθη:	Συμβουλευτείτε τον πίνακα στο πίσω μέρος του εγχειριδίου

Χρησιμοποιούμενα υλικά: Το πάνω μέρος είναι από πολυεστέρα με περιβλημα πολυουρεθάνης, η κάτω πλευρά είναι από πλέγμα πολυεστέρα  
Μαξιλάρι: Το πάνω μέρος είναι από πολυεστέρα με περιβλημα πολυουρεθάνης, η κάτω πλευρά είναι από πλέγμα πολυεστέρα  
Γέμισμα: SmartCells γέμισμα με αέρα με περιβλημα χαμηλής τριβής

O2 Top Cover κάλυμμα μαξιλαριού: Πάνω: Πλεκτό ύφασμα από πολυεστέρα. Κάτω άκρη: Ύφασμα πολυεστέρα με αντιολισθητική επένδυση πολουρεθάνης.

#### **Διαφορετικά καλύμματα μαξιλαριού:**

Comfair Cover (κάλυμμα μαξιλαριού): Πάνω: Πλεκτό ύφασμα από πολυεστέρα. Πλάγια: Ύφασμα από τρισδιάστατο πλέγμα πολυεστέρα. Κάτω: Ύφασμα πολυεστέρα με αντιολισθητική επένδυση πολουρεθάνης.  
Incotec Cover (καλύμματα μαξιλαριού): Πάνω: Πλεκτό ύφασμα, επένδυση από πολουρεθάνη που αναπνέει για αντοχή στα υγρά. Κάτω: Ύφασμα πολυεστέρα με αντιολισθητική επένδυση πολουρεθάνης.

Όλα τα καλύμματα: Πλένονται στο πλυντήριο. Τα καλύμματα πληρούν τον κανονισμό EN1021-1, 1021-2 και CAL117.

## **ΠΡΟΦΥΛΑΞΕΙΣ ΚΑΙ ΟΔΗΓΙΕΣ ΑΣΦΑΛΕΙΑΣ**

Το μαξιλάρι καθίσματος Vicair για αναπηρικό αμαξίδιο μπορεί να χρησιμοποιηθεί μόνο ως μαξιλάρι καθίσματος για αναπηρικό αμαξίδιο. Οποιαδήποτε άλλη χρήση αυτού του προϊόντος, θεωρείται ακατάλληλη. Η Vicair B.V. δεν φέρει καμία ευθύνη για βλάβες που οφείλονται σε ακατάλληλη, λανθασμένη και αλόγιστη χρήση. Βεβαιωθείτε ότι έχετε διαβάσει και έχετε κατανοήσει πλήρως αυτό το εγχειρίδιο.

**Προειδοποίηση!** Η Vicair B.V. συνιστά η εγκατάσταση του Vicair XXtra O2 να πραγματοποιηθεί υπό την επίβλεψη ενός θεραπευτή ή τεχνικού.

**Προειδοποίηση!** Ο κόκκυγας και η λεκάνη σας δεν πρέπει να αγγίζουν την κάτω πλευρά του μαξιλαριού. Ο έλεγχος του "bottoming out" πρέπει να πραγματοποιείται κατά την πρώτη χρήση και μετά την ρύθμιση για το γέμισμα του μαξιλαριού.

**Προειδοποίηση!** Ελέγχετε τακτικά την επιδερμίδα σας για κοκκινίλες, ειδικά κατά τις πρώτες μέρες. Αν εμφανίζονται κοκκινίλες και δεν χάνονται μετά από 15 λεπτά, συμβουλευτείτε τον θεραπευτή ή τον τεχνικό σας.

**Προειδοποίηση!** Η Vicair B.V. συνιστά η ρύθμιση για το γέμισμα να πραγματοποιηθεί υπό την επίβλεψη ενός θεραπευτή ή τεχνικού.

**Προειδοποίηση!** Αυτή τη στιγμή δεν υπάρχουν διαθέσιμα στοιχεία σχετικά με την ασφαλή χρήση του μαξιλαριού καθίσματος Vicair για αναπηρικό αμαξίδιο σε ηλεκτρικά αμαξίδια. Επομένως δεν σας συνιστούμε να χρησιμοποιήσετε το μαξιλάρι καθίσματος για αναπηρικό αμαξίδιο σε ηλεκτρικά αμαξίδια.

**Προειδοποίηση!** Σε περίπτωση που λερωθεί με σωματικά υγρά, και όταν μεταφέρετε το προϊόν σε κάποιον άλλον χρήστη, πρέπει να το απολυμαίνετε για να εμποδίσετε την διασταυρούμενη επιμόλυνση.

**Προειδοποίηση!** Κάθε τρεις μήνες, ελέγχετε το προϊόν για φθορές και ξεφουσκωμένες κυψέλες. Σε περίπτωση σοβαρής βλάβης, ή μεγάλου αριθμού ξεφουσκωμένων κυψελών, σταματήστε να χρησιμοποιείτε το προϊόν. Συμβουλευτείτε τον αντιπρόσωπο σας.

**Προσοχή!** Μην χρησιμοποιείτε ή μην αφήνετε το προϊόν κοντά σε γυμνή φλόγα ή πηγή θερμότητας με υψηλή θερμοκρασία.

**Προσοχή!** Μην καθαρίζετε στον ατμό ή σε κλίβανο αποστείρωσης. Το προϊόν δεν αντέχει σε υπερβολική θερμότητα ή πίεση. Εάν δεν τηρούνται οι οδηγίες καθαρισμού, ενδέχεται το προϊόν και/ή το κάλυμμα του προϊόντος να υποστεί πιο γρήγορα φθορές.

**Προσοχή!** Μην χρησιμοποιείτε διαβρωτικά ή σκληρά καθαριστικά ή αιχμηρά αντικείμενα για τον καθαρισμό του μαξιλαριού.

**Προσοχή!** Η πάνω πλευρά του μαξιλαριού Vicair O2 δεν πρέπει να ακουμπάει στο τζάμι της πόρτας πλυντηρίου.

**Προσοχή!** Βεβαιωθείτε ότι το μαξιλάρι δεν εμποδίζει τις ακτίνες της ρόδας.

**Προειδοποίηση!** Η Vicair B.V. συνιστά η εγκατάσταση του Vicair XXtra O2 να πραγματοποιηθεί υπό την επίβλεψη ενός θεραπευτή ή τεχνικού.

**Προσοχή!** Βεβαιωθείτε ότι το μαξιλάρι δεν εμποδίζει τις ακτίνες της ρόδας.

**Σημείωση!** Να χρησιμοποιείτε πάντα μαξιλάρι με κάλυμμα.

**Σημείωση!** Βεβαιωθείτε ότι τα κάθισμα του αμαξιδίου είναι καθαρό και έχει απολιπανθεί.

**Συμβουλή:** Αν δεν θέλετε να χρησιμοποιήσετε το βέλκρο, μπορείτε να αφαιρέσετε τις ταινίες βέλκρο. Οι ταινίες που βρίσκονται στην κάτω πλευρά του μαξιλαριού και/ή καλύμματος μαξιλαριού δεν αφαιρούνται.

### **Πραγματοποιήστε τα παρακάτω βήματα όταν χρησιμοποιείτε το O2 Top Cover**

Αυτά τα βήματα αντιστοιχούν στις εικόνες εγκατάστασης 1-6 του οδηγού γρήγορης εγκατάστασης:

- Ελέγξτε το μέγεθος μαξιλαριού. Το πλάτος (X) του μαξιλαριού πρέπει να αντιστοιχεί στο κάθισμα. Όταν το μαξιλάρι βρίσκεται ανάμεσα σε χέρια πολυθρόνας ή πλάγια προστατευτικά, το πλάτος μπορεί να είναι έως 2,5 cm. Το βάθος (Y) του μαξιλαριού πρέπει να αντιστοιχεί στο κάθισμα.
- Ελέγξτε ότι το μέγεθος του καλύμματος αντιστοιχεί στο μέγεθος του μαξιλαριού.
- Απομακρύνετε την προστατευτική ταινία διπλής όψης από τις αυτοκόλλητες ταινίες βέλκρο που βρίσκονται στην κάτω πλευρά του μαξιλαριού.
- Τοποθετήστε το μαξιλάρι πιέζοντας καλά.
- Τοποθετήστε το O2 Top Cover πάνω από το μαξιλάρι.
- Περάστε τη θηλιά στην πίσω πλευρά του μαξιλαριού μέσα από την κουμπότρυπα στην πίσω πλευρά του καλύμματος.

- Καθίστε στο μαξιλάρι για μερικά λεπτά, για να επιτρέψετε στον αέρα μέσα στο μαξιλάρι να προσαρμοστεί στο σχήμα του σώματός σας.
- Αν χρειάζεται, ρυθμίστε το(α) υποπόδιο(α).

### **Διαφορετικά καλύμματα μαξιλαριού**

Πραγματοποιήστε τα παρακάτω βήματα όταν χρησιμοποιείτε τα καλύμματα μαξιλαριού Comfair Cover ή Incotec Cover.

- Ελέγξτε το μέγεθος μαξιλαριού. Το πλάτος (X) του μαξιλαριού πρέπει να αντιστοιχεί στο κάθισμα. Όταν το μαξιλάρι βρίσκεται ανάμεσα σε χέρια πολυθρόνας ή πλάγια προστατευτικά, το πλάτος μπορεί να είναι έως 2,5 cm. Το βάθος (Y) του μαξιλαριού πρέπει να αντιστοιχεί στο κάθισμα.
- Ελέγξτε ότι το μέγεθος του καλύμματος αντιστοιχεί στο μέγεθος του μαξιλαριού.
- Αφαιρέστε τις ταινίες βέλκρο από την κάτω πλευρά του μαξιλαριού. Οι ταινίες που βρίσκονται στην κάτω πλευρά του μαξιλαριού δεν αφαιρούνται.
- Εισάγετε το μαξιλάρι στο κάλυμμα.
- Περάστε τη θηλιά μέσα από τον κρίκο στο κάλυμμα.
- Κλείσιμο με φερμουάρ. Βεβαιωθείτε ότι δεν προκαλείτε βλάβη στο μαξιλάρι.
- Απομακρύνετε την προστατευτική ταινία διπλής όψης από τις αυτοκόλλητες ταινίες βέλκρο που βρίσκονται στο κάλυμμα μαξιλαριού.
- Τοποθετήστε το μαξιλάρι πιέζοντας καλά.
- Καθίστε στο μαξιλάρι για μερικά λεπτά, για να επιτρέψετε στον αέρα μέσα στο μαξιλάρι να προσαρμοστεί στο σχήμα του σώματός σας.
- Αν χρειάζεται, ρυθμίστε το(α) υποπόδιο(α).

### **Έλεγχος για “bottoming out”:**

Εικόνα 7 - Οδηγός γρήγορης εγκατάστασης

**Προειδοποίηση!** Ο κόκκυγας και η λεκάνη σας δεν πρέπει να αγγίζουν την κάτω πλευρά του μαξιλαριού. Ο έλεγχος του "bottoming out" πρέπει να πραγματοποιείται κατά την πρώτη χρήση και μετά την ρύθμιση για το γέμισμα του μαξιλαριού.

**Προειδοποίηση!** Η Vicair B.V. συνιστά η ρύθμιση για το γέμισμα να πραγματοποιηθεί υπό την επίβλεψη ενός θεραπευτή ή τεχνικού.

- Ελέγξτε για bottoming out, μόλις καθίσετε στο μαξιλάρι για περίπου 5 λεπτά.
- Ενώ γέρνετε προς τα εμπρός, επιτρέψτε στον θεραπευτή σας ή τον τεχνικό να γλιστρήσει το χέρι του ανάμεσα στους γλουτούς σας και το μαξιλάρι Vicair.
- Ζητήστε από τον θεραπευτή ή το τεχνικό σας να ελέγξουν αν τα χαμηλότερα οστικά εξογκώματα στηρίζονται τουλάχιστον 2,5 cm από τα SmartCells™. Αυτό τα εμποδίζει να αγγίζουν το κάθισμα του αμαξιδίου.
- Μην χρησιμοποιείτε το μαξιλάρι αν προκύψει bottoming out. Στις περισσότερες περιπτώσεις, η ρύθμιση για το γέμισμα των θαλάμων λύνει το πρόβλημα.

## ΧΡΗΣΗ

### Έλεγχος για κοκκινίλες στην επιδερμίδα

Εικόνα 8 - Οδηγός γρήγορης εγκατάστασης

**Προειδοποίηση!** Ελέγχετε τακτικά την επιδερμίδα σας για κοκκινίλες, ειδικά κατά τις πρώτες μέρες. Αν εμφανίζονται κοκκινίλες και δεν χάνονται μετά από 15 λεπτά, συμβουλευτείτε τον θεραπευτή ή τον τεχνικό σας.

### Ρύθμιση για το γέμισμα

**Προειδοποίηση!** Η Vicair B.V. συνιστά η ρύθμιση για το γέμισμα να πραγματοποιηθεί υπό την επίβλεψη ενός θεραπευτή ή τεχνικού.

### Έτοιμο για χρήση

Το προϊόν Vicair είναι έτοιμο για χρήση. Έχει το δικό του μοναδικό γέμισμα, σύμφωνα με το μέγεθος και το μοντέλο και διαχειρίζεται

αυτόματα μικρές κλίσεις. Ωστόσο - αν χρειάζεται στήριξη μεγαλύτερης ασυμμετρίας- το γέμισμα μπορεί να ρυθμιστεί αφαιρώντας ή προσθέτοντας SmartCells από/προς τους διάφορους θαλάμους. Μπορείτε να βρείτε την προεπιλεγμένη ρύθμιση για γέμισμα στην ετικέτα του μαξιλαριού.

### Συνθήκες χρήσης και αποθήκευση

**Προσοχή!** Μην χρησιμοποιείτε ή μην αφήνετε το προϊόν κοντά σε γυμνή φλόγα ή πηγή θερμότητας με υψηλή θερμοκρασία.

#### • Βάρος χρήστη:

Ελάχιστο: 100 kg/ 220 lbs

μέγιστο: 500 kg/ 1102

#### • Θερμοκρασία:

Ελάχιστη: -20 °C / 4 °F,

μέγιστη: 55 °C / 131 °F

#### • Χρήση σε μεγάλο υψόμετρο

**Σημείωση!** Η Vicair B.V. συνιστά να μην χρησιμοποιείτε το μαξιλάρι στα 2.400 μ (8.000 ft) πάνω από το επίπεδο της θάλασσας ή στα 50 μ (164 ft) κάτω από το επίπεδο της θάλασσας. Επειδή το κάθε SmartCell περιέχει αέρα, το μαξιλάρι μπορεί να συμπεριφερθεί διαφορετικά όταν χρησιμοποιείται σε μεγάλο υψόμετρο ή σ' ένα αεροπλάνο. Υπό αυτές τις συνθήκες, μπορείτε να ρυθμίσετε την σταθερότητα του μαξιλαριού αφαιρώντας μερικές κυψέλες από κάθε θάλαμο.

#### • Υγρασία του αέρα:

Ελάχιστη: 0%, μέγιστη: 100%

### Καθημερινό γέμισμα

Η Vicair B.V. συνιστά να γεμίζετε το μαξιλάρι Vicair πριν από τη χρήση σε καθημερινή βάση.

### Χρήση του μαξιλαριού καθίσματος Vicair σε ηλεκτρικά αμαξίδια

**Προειδοποίηση!** Αυτή τη στιγμή δεν υπάρχουν διαθέσιμα στοιχεία σχετικά με την ασφαλή χρήση του μαξιλαριού καθίσματος Vicair για

αναπηρικό αμαξίδιο σε ηλεκτρικά αμαξίδια. Επομένως δεν σας συνιστούμε να χρησιμοποιήσετε το μαξιλάρι καθίσματος για αναπηρικό αμαξίδιο σε ηλεκτρικά αμαξίδια. Στη θέση του μαξιλαριού καθίσματος Vicair για αναπηρικό αμαξίδιο, μπορεί να χρησιμοποιηθεί το Vicair AllRounder O2 (το οποίο μπορεί να προσδεθεί στο σώμα του χρήστη) αν απαιτείται επιπλέον ασφάλεια κατά την μεταφορά.

### **Επαναχρησιμοποίηση - Όταν μεταφέρετε το προϊόν σε κάποιον άλλον χρήστη**

Το προϊόν είναι κατάλληλο για επαναλαμβανόμενη χρήση. Ο αριθμός των φορών που μπορεί να χρησιμοποιηθεί εξαρτάται από την συχνότητα και τον τρόπο που χρησιμοποιείται το προϊόν. Ο καθαρισμός και η απολύμανση του προϊόντος πρέπει να πραγματοποιείται σε βάθος, προτού επιτρέψετε να χρησιμοποιηθεί από άλλο άτομο. Δείτε το κεφάλαιο "Συντήρηση και καθαρισμός" για τις οδηγίες.

**Σημείωση!** Βεβαιωθείτε ότι το προϊόν έχει ρυθμιστεί σωστά στο άλλο άτομο.

### **Αντικατάσταση του καλύμματος μαξιλαριού**

Υπό κανονικές συνθήκες, η Vicair B.V. σας προτείνει να αλλάζετε το κάλυμμα μαξιλαριού κάθε χρόνο. Μπορείτε να προμηθευτείτε χωριστά τα καλύμματα αντικατάστασης.

### **Απόρριψη**

Η απόρριψη και η ανακύκλωση των χρησιμοποιημένων συσκευών και συσκευασιών πρέπει να πληροί τον ισχύοντα κανονισμό. Βεβαιωθείτε ότι το προϊόν είναι καθαρό προτού το απορρίψετε για να εμποδίσετε τον κίνδυνο μόλυνσης.

## **ΣΥΝΤΗΡΗΣΗ ΚΑΙ ΚΑΘΑΡΙΣΜΟΣ**

**Προειδοποίηση!** Κάθε τρεις μήνες, ελέγχετε το προϊόν για φθορές και ξεφουσκωμένες κυψέλες.

Σε περίπτωση σοβαρής βλάβης, ή μεγάλου αριθμού ξεφουσκωμένων κυψελών, σταματήστε να χρησιμοποιείτε το προϊόν. Συμβουλευτείτε τον αντιπρόσωπο σας.

**Προσοχή!** Μην καθαρίζετε στον ατμό ή σε κλίβανο αποστείρωσης. Το προϊόν δεν αντέχει σε υπερβολική θερμότητα ή πίεση. Εάν δεν τηρούνται οι οδηγίες καθαρισμού, ενδέχεται το προϊόν και/ή το κάλυμμα του προϊόντος να υποστεί πιο γρήγορα φθορές.

**Προσοχή!** Μην χρησιμοποιείτε διαβρωτικά ή σκληρά καθαριστικά ή αιχμηρά αντικείμενα για τον καθαρισμό του μαξιλαριού.

**Προσοχή!** Η πάνω πλευρά του μαξιλαριού Vicair O2 δεν πρέπει να ακουμπάει στο τζάμι της πόρτας πλυντηρίου.

### **Καθαρισμός του Vicair XXtra O2**

#### **• Καθαρισμός του καλύμματος μαξιλαριού Vicair XXtra O2**

Το κάλυμμα μαξιλαριού πλένεται στο πλυντήριο. Ακολουθήστε τις οδηγίες πλύσης στην επικέτα που βρίσκεται μέσα στο κάλυμμα.

(60 °C=140 °F)



#### **• Καθαρισμός του μαξιλαριού Vicair XXtra O2**

Το μαξιλάρι Vicair O2 πλένεται στο πλυντήριο ρούχων στους 60°C / 140 °F σε πρόγραμμα για εύκολο σιδέρωμα και με ήπιο απορρυπαντικό. Δεν χρειάζεται να αφαιρέσετε τα SmartCells για να βάλετε το μαξιλάρι στο πλυντήριο ρούχων. Η πάνω πλευρά του μαξιλαριού δεν πρέπει να ακουμπάει στο τζάμι της πόρτας πλυντηρίου. Μην γμιζετε το πλυντήριο με πάνω από το μισό του επιτρεπόμενου φορτίου ρούχων. Η ταχύτητα περιστροφής πρέπει να είναι μειωμένη. Αν χρησιμοποιείτε ένα πλυντήριο

με ανακίνηση, βεβαιωθείτε ότι το μαξιλάρι μετακινείται ελεύθερα μέσα στον κάδο. Μην χρησιμοποιείτε χλωρίνη και μην πραγματοποιείτε στεγνό καθάρισμα! Μην χρησιμοποιείτε στεγνωτήριο ρούχων για το μαξιλάρι Vicair O2, αφήστε το να στεγνώσει στον αέρα (5-6 ώρες). Μπορείτε να χρησιμοποιήσετε τον κρίκο για να κρεμάσετε το μαξιλάρι Vicair O2.



### Απολύμανση του Vicair XXtra O2

**Προειδοποίηση!** Σε περίπτωση που λερωθεί με σωματικά υγρά, και όταν μεταφέρετε το προϊόν σε κάποιον άλλον χρήστη, πρέπει να το απολυμαίνετε για να εμποδίσετε την διασταυρούμενη επιμόλυνση. Καθαρίστε το μαξιλάρι και το κάλυμμα σύμφωνα με τις παραπάνω οδηγίες. Χρησιμοποιείτε καλύτερα ένα αντιβακτηριακό απορρυπαντικό. Μετά τον καθαρισμό, ψεκάστε το μαξιλάρι και το κάλυμμα με ένα προϊόν απολύμανσης. Λυγίστε προς τα έξω τους θαλάμους για να βεβαιωθείτε ότι το σπρέι πηγαίνει σ' όλα τα κενά.

### ΕΓΓΥΗΣΗ

Παρακαλούμε δείτε στο [www.vicair.com](http://www.vicair.com) όλες τις πληροφορίες σχετικά με τις διαδικασίες εγγύησης, τους όρους και τις προϋποθέσεις. Η Vicair B.V. προσφέρει περιορισμένη εγγύηση σε ελαττώματα λόγω κατασκευής και υλικών, υπό την προϋπόθεση ότι το προϊόν χρησιμοποιείται κανονικά. Κάθε βλάβη που προκύπτει λόγω ακατάλληλης χρήσης, ή μη σωστού χειρισμού, καθαρισμού ή αμέλειας, δεν περιλαμβάνεται σε αυτή την εγγύηση.

### Περίοδος εγγύησης

Από την αρχική ημερομηνία αγοράς: 24 μήνες. Τα SmartCells στο μαξιλάρι Vicair O2 έχουν μία εγγύησης εφόρου ζωής.

Σε περίπτωση που προκύψει κάποιο ελάττωμα στα υλικά ή στην κατασκευή εντός της παραπάνω αναφερόμενης περιόδου εγγύησης, η Vicair B.V. - με δική της απόφαση - θα επιδιορθώσει ή θα αντικαταστήσει το προϊόν χωρίς καμία χρέωση. Το κάλυμμα μαξιλαριού δεν περιλαμβάνεται στην εγγύηση.

Τα μέσα προσφυγής για παράβαση των ρητών εγγυήσεων στο παρόν έγγραφο περιορίζονται στην επιδιόρθωση ή την αντικατάσταση του προϊόντος.

Σε καμία περίπτωση οι ζημίες από την παραβίαση οποιασδήποτε εγγύησης δεν θα περιλαμβάνουν τυχόν επακόλουθη ζημία ούτε θα υπερβαίνουν το κόστος των μη συμμορφούμενων αγαθών που έχουν πουληθεί.

### Κάποια ερώτηση;

Επικοινωνήστε με την Vicair B.V. στο [info@vicair.com](mailto:info@vicair.com) ή με τον αντιπρόσωπο της Vicair στη χώρα σας.

**HR** VICAIR® XXTRA O2  
KORISNIČKI PRIRUČNIK

Poštovani korisniče,

Zahvaljujemo Vam na kupnji proizvoda Vicair®. Sigurni smo da ćete cijeniti jednostavnost, pouzdanost i fantastičan učinak. Za brzu ugradnju možete koristiti priručnik za brzu ugradnju koji dolazi uz Vaš jastuk. Također vas molimo da pročitate i proučite ovaj korisnički priručnik prije uporabe. Priručnik za brzu ugradnju i ovaj priručnik sačuvajte za buduću uporabu.

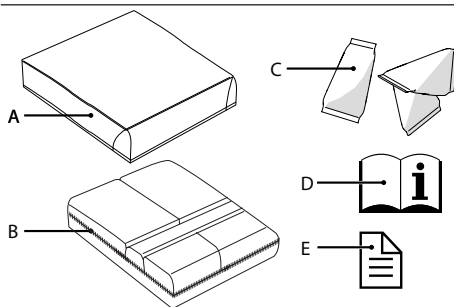
Za više informacija ili za (ponovnu) narudžbu priručnika, kontaktirajte distributera u svojoj državi.

Za informacije o distributerima posjetite: [vicair.com](http://vicair.com).

## UVOD

Vicair XXtra O2 jastuk je za sjedalo invalidskih kolica velikih dimenzija koji nudi vrlo visoku razinu zaštite kože za bariatrične osobe izložene visokom riziku od nastanka dekubitusa. Koristi se za poboljšanje držanja tijela, za sprječavanje dekubitusa i pružanje udobnosti te stabilne potpore tijelu. Također predstavlja visokoučinkovit dodatak planu za liječenje dekubitusa (I-IV stupanj). Jastuk Vicair XXtra O2 može se prati u perilici rublja bez uklanjanja ćelija punjenih zrakom SmartCells!

## GLAVNE KOMPONENTE



- A** Navlaka za jastuk
- B** Jastuk
- C** SmartCells™, postavljene u 5 odjeljaka
- D** Korisnički priručnik
- E** Priručnik za brzu ugradnju (Quick Installation Guide)

## OPĆE KARAKTERISTIKE PROIZVODA

Naziv proizvoda:	Vicair XXtra O2
Proizvodi:	Vicair B.V., Nizozemska
Jamstvo:	24 mjeseca
Težina	Najmanja veličina: 0,5 kg / 1,1 lbs
(osim navlake):	Srednja veličina 0,8 kg / 1,8 lbs
	Najveća veličina 1 kg / 2,2 lbs
Dostupne veličine	Pogledajte tablicu na stražnjem dijelu priručnika
Korišteni materijali:	sve bez lateksa
Jastuk:	Vrh je izrađen od poliesterske tkanine s poliuretanskom oblogom, dno je izrađeno od poliesterske mrežaste tkanine
Punjenje:	ćelije punjene zrakom SmartCells s oblogom niske razine trenja
	O2 Gornja navlaka: Gornji dio: Pletena tkanina od poliestera. Obod na dnu: poliestersko platno s poliuretanskom protukliznom oblogom.

### Alternativne navlake za jastuk:

Comfair Cover navlaka za jastuk: Gornji dio:

Pletena tkanina od poliestera. Strane:

Poliesterska 3D mrežasta tkanina. Donji dio: poliestersko platno s poliuretanskom protukliznom oblogom.

Incotec Cover navlaka za jastuk: Gornji dio:

Pletena tkanina od poliestera, obložena prozračnim poliuretanom otpornim na tekućine. Donji dio: poliestersko platno s poliuretanskom protukliznom oblogom.

Sve navlake: perive u perilici rublja. Navlake su u skladu s normama EN1021-1, 1021-2 i CAL117.

## MJERE OPREZA I SIGURNOSNE UPUTE

---

Jastuk za sjedalo za invalidska kolica Vicair može se koristiti isključivo u tu svrhu. Uporaba ovog proizvoda na bilo koji drugi način smatra se pogrešnom uporabom. Vicair B.V. ne može se smatrati odgovornim za štetu nastalu uslijed pogrešne i neodgovarajuće uporabe ili nemara. Svakako se pobrinite da pročitate i razumijete ovaj priručnik u cijelosti.

**Upozorenje!** Vicair B.V. preporučuje ugradnju jastuka Vicair XXtra O2 pod neposrednim nadzorom terapeuta ili tehničkog savjetnika.

**Upozorenje!** Vaša trtična kost ili karlične kosti ne bi trebale dodirivati dno jastuka. Tijekom prve uporabe trebalo bi provjeriti "bottoming out" te nakon prilagodbe punjenju jastuka.

**Upozorenje!** Redovito provjeravajte postoji li crvenilo kože, posebno tijekom prvih nekoliko dana. Ako dođe do pojave crvenila koje ne nestaje nakon 15 minuta, posavjetujte se sa svojim terapeutom ili tehničkim savjetnikom.

**Upozorenje!** Vicair B.V. preporučuje podešavanje stupnja punjenja pod neposrednim nadzorom terapeuta ili tehničkog savjetnika.

**Upozorenje!** Trenutačno nisu dostupni podaci o sigurnoj uporabi jastuka za invalidska kolica

Vicair u motornim vozilima. Iz tog razloga, ne potičemo vas na korištenje jastuka za invalidska kolica u motornim vozilima.

**Upozorenje!** U slučaju uprljanosti proizvoda tjelesnim tekućinama, te prilikom prijenosa proizvoda na drugog korisnika, proizvod je potrebno dezinficirati kako bi se izbjegla obostrana kontaminacija.

**Upozorenje!** Svaka tri mjeseca provjerite istrošenost proizvoda i ispuhane stanice. U slučaju ozbiljnog oštećenja ili velikog broja ispuhanih stanica, nemojte nastaviti s korištenjem proizvoda. Konzultirajte svog distributera.

**Opres!** Nemojte koristiti ili ostavljati proizvod u blizini otvorenog plamena ili izvora visoke temperature.

**Opres!** Nemojte čistiti proizvod parom ili uređajima s visokim pritiskom. Proizvod ne može izdržati prekomjernu vrućinu ili pritisak. U slučaju nepridržavanja uputa o čišćenju, vrlo je velika vjerojatnost bržeg starenja proizvoda i/ili njegove navlake.

**Opres!** Nemojte koristiti agresivna ili abrazivna sredstva za čišćenje ili oštre predmete za čišćenje jastuka.

**Opres!** Nemojte stavljati gornju stranu Vicair O2 jastuka okrenutu prema staklu na vratima perilice.

**Opres!** Pazite da jastuk ne ulazi u šipke kotača.

## UGRADNJA

---

**Upozorenje!** Vicair B.V. preporučuje ugradnju Vicair XXtra O2 pod neposrednim nadzorom terapeuta ili tehničkog savjetnika.

**Opres!** Pazite da jastuk ne ulazi u šipke kotača.

**Napomena!** Uvijek koristite jastuk s navlakom.

**Napomena!** Pazite da sjedalo invalidskih kolica bude čisto i bez masnoća.

**Savjet:** kada ne želite koristiti čičak trake, možete ih ukloniti. Imajte na umu da trake na dnu jastuka i/ili navlake jastuka nije moguće ukloniti.

## **Prilikom korištenja 02 Top Cover navlake za jastuk, izvršite sljedeće korake**

Ovi koraci odgovaraju slikama za postavljanje 1-6 u vodiču za brzu ugradnju:

- Provjerite veličinu jastuka. Širina (X) jastuka i sjedala trebale bi odgovarati. Kada je jastuk naslonjen na rukonaslone ili bočne štitičke, širina može biti do 2,5 cm (1") veća. Dubina (Y) jastuka i sjedala trebale bi odgovarati.
- Provjerite odgovara li veličina navlake veličini jastuka.
- Uklonite zaštitnu traku sa samoljepivih čičak traka pričvršćenih na dno jastuka.
- Postavite jastuk čvrsto pritiščući.
- Postavite 02 Top Cover navlaku za jastuk na vrh jastuka.
- Provucite petlju sa stražnje strane jastuka kroz "otvor za gumb" na stražnjem dijelu navlake.
- Sjediti na jastuku nekoliko minuta kako biste omogućili da se jastuk prilagodi obliku vašeg tijela.
- Ako je potrebno, podesite naslon(e) za noge.

## **Alternativne navlake za jastuke**

Obavite sljedeće korake kada koristite Comfair Cover ili Incotec Cover navlaku za jastuk.

- Provjerite veličinu jastuka. Širina (X) jastuka i sjedala trebale bi odgovarati. Kada je jastuk naslonjen na rukonaslone ili bočne štitičke, širina može biti do 2,5 cm (1") veća. Dubina (Y) jastuka i sjedala trebale bi odgovarati.
- Provjerite odgovara li veličina navlake veličini jastuka.
- Uklonite čičak trake s dna navlake. Imajte na umu da trake na dnu jastuka nije moguće ukloniti.
- Umetnite jastuk u navlaku.
- Provedite petlju kroz očicu u navlaci.
- Zatvorite patent zatvarač. Pazite da ne oštete jastuk.

- Uklonite zaštitnu traku sa samoljepivih čičak traka pričvršćenih na navlaku jastuka.
- Postavite jastuk čvrsto pritiščući.
- Sjediti na jastuku nekoliko minuta kako biste omogućili da se jastuk prilagodi obliku vašeg tijela.
- Ako je potrebno, podesite naslon(e) za noge.

## **Provjera "pražnjenja":**

Slika 7 - Vodič za brzu ugradnju

**Upozorenje!** Vaša trtična kost ili karlične kosti ne bi trebale dodirivati dno jastuka. Tijekom prve uporabe trebalo bi provjeriti "bottoming out" te nakon prilagodbe punjenju jastuka.

**Upozorenje!** Vicair B.V. preporučuje podešavanje stupnja punjenja pod neposrednim nadzorom terapeuta ili tehničkog savjetnika.

- Provjerite je li se jastuk ispraznio nakon što ste na njemu sjedili otprilike 5 minuta.
- Neka Vaš terapeutu ili tehnički savjetnik rukom skliznu između Vaše stražnjice i jastuka Vicair dok se naginjete prema naprijed.
- Zamolite svog terapeuta ili tehničkog savjetnika da provjere podupire li Vaše najdonje kosti barem 2,5 cm / 1" ćelija ispunjenih zrakom SmartCells™. To ih sprječava da dotiču sjedalo invalidskih kolica.
- Nemojte koristiti jastuk ako dođe do pražnjenja. U većini slučajeva, podešavanje stupnja punjenja odjeljaka riješit će problem.

## **UPORABA**

---

### **Provjera crvenila kože**

Slika 8 - Vodič za brzu ugradnju

**Upozorenje!** Redovito provjeravajte postoji li crvenilo kože, posebno tijekom prvih nekoliko dana. Ako dođe do pojave crvenila koje ne nestaje nakon 15 minuta, posavjetujte se sa svojim terapeutom ili tehničkim savjetnikom.

### **Podešavanje stupnja punjenja**

**Upozorenje!** Vicair B.V. preporučuje

podešavanje stupnja punjenja pod neposrednim nadzorom terapeuta ili tehničkog savjetnika.

### **Spreмно za uporabu**

Ovaj proizvod Vicair spreman je za uporabu. Ima svoj vlastiti jedinstveni stupanj punjenja, ovisno o veličini i automatski ispravlja manje neravnine. Ipak - u slučajevima veće asimetrije - stupanj punjenja moguće je podešavati uklanjanjem ili dodavanjem ćelija punjenih zrakom SmartCells iz/u različite odjeljke. Zadani stupanj punjenja možete pronaći na oznaci pričvršćenoj na jastuk.

### **Uvjeti uporabe i čuvanja**

**Oprez!** Nemojte koristiti ili ostavljati proizvod u blizini otvorenog plamena ili izvora visoke temperature.

- **Težina korisnika:**

Minimalno: 100 kg/ 220 lbs  
maksimalno: 500 kg/ 1102

- **Temperatura:**

Minimalno: -20 °C / 4 °F,  
maksimalno: 55 °C / 131 °F

- **Uporaba na velikoj visini**

**Napomena!** Vicair B.V. ne preporučuje korištenje jastuka na nadmorskoj visini iznad 2400 m (8000 stopa (ft)) ili nižoj od 50 m (164 ft). Budući da je svaka ćelija SmartCell ispunjena zrakom, jastuk se može drugačije ponašati prilikom korištenja na velikoj visini ili u zrakoplovu. Pod takvim okolnostima, čvrstoću jastuka moguće je podesiti uklanjanjem nekoliko ćelija iz svakog odjeljka.

- **Vlažnost zraka:**

Minimalno: 0%, maksimalno 100%

### **Dnevno protresanje**

Vicair B.V. preporučuje da svakodnevno protresete svoj jastuk Vicair prije uporabe.

### **Uporaba jastuka za sjedalo Vicair u motornim vozilima**

**Upozorenje!** Trenutačno nisu dostupni podaci o sigurnoj uporabi jastuka za invalidska kolica Vicair u motornim vozilima. Iz tog razloga, ne

potičemo vas na korištenje jastuka za invalidska kolica u motornim vozilima. Kao alternativu za Vaš jastuk za invalidska kolica Vicair, moguće je koristiti Vicair AllRounder O2 (koji se može pričvrstiti na tijelo korisnika) ako vam je potrebna dodatna zaštita tijekom prijevoza.

### **Ponovno korištenje - Prenosjenje proizvoda na drugog korisnika**

Proizvod je prikladan za ponovljeno korištenje. Broj korištenja ovisi o učestalosti i načinu korištenja proizvoda. Proizvod je potrebno temeljito očistiti i dezinficirati prije nego što ga smije koristiti druga osoba. Za upute pogledajte poglavlje 'Održavanje i čišćenje'.

**Napomena!** Pazite da proizvod bude odgovarajuće prilagođen drugoj osobi.

### **Mijenjanje navlake za jastuk**

Kod redovne uporabe, Vicair B.V. preporučuje zamjenu navlake za jastuk svake godine. Zamjenske navlake mogu se zasebno kupiti.

### **Odlaganje**

Odlaganje i recikliranje korištenih uređaja i ambalaže mora odgovarati važećim propisima. Pazite da proizvod bude očišćen prije odlaganja kako bi se izbjegla bilo kakva opasnost od kontaminacije.

## **ODRŽAVANJE I ČIŠĆENJE**

---

**Upozorenje!** Svaka tri mjeseca provjerite istrošenost proizvoda i ispuhane stanice. U slučaju ozbiljnog oštećenja ili velikog broja ispuhanih stanica, nemojte nastaviti s korištenjem proizvoda. Konzultirajte svog distributera.

**Oprez!** Nemojte čistiti proizvod parom ili uređajima s visokim pritiskom. Proizvod ne može izdržati prekomjernu vrućinu ili pritisak. U slučaju nepridržavanja uputa o čišćenju, vrlo je velika vjerojatnost bržeg starenja proizvoda.

**Oprez!** Nemojte koristiti agresivna ili abrazivna sredstva za čišćenje ili oštre predmete za čišćenje jastuka.

**Oprez!** Nemojte stavljati gornju stranu Vicair O2 jastuka okrenutu prema staklu na vratima perilice.

### Čišćenje Vicair XXtra O2

#### • Čišćenje navlake Vicair XXtra O2

Navlaku za jastuk moguće je prati u perilici rublja. Slijedite upute za pranje na oznaci pričvršćenoj na unutarnjoj strani navlake. (60 °C = 140 °F)



#### • Čišćenje jastuka Vicair XXtra O2

Vaš Vicair O2 jastuk se može strojno prati na 60 °C / 140 °F korištenjem ciklusa pranja protiv gužvanja i blagog deterdženta. Ne morate ukloniti SmartCells prije stavljanja jastuka u perilicu rublja. Uvjerite se da gornja strana jastuka nije okrenuta prema staklu na vratima perilice. Nemojte puniti stroj s više od jedne polovine njegove težine za maksimalno punjenje. Brzina okretanja treba biti smanjena. Kada koristite stroj s miješalicom za tekućinu, pobrinite se da se jastuk može slobodno kretati unutar bubnja. Nemojte koristiti izbjeljivače na bazi klora, niti ciklus sušenja! Nemojte centrifugirati svoj jastuk Vicair O2 nego ga pustite da se osuši na zraku. Svoj jastuk Vicair O2 možete sušiti pomoću užeta.



### Dezinficiranje Vašeg Vicair XXtra O2

**Upozorenje!** U slučaju uprljanosti proizvoda tjelesnim tekućinama, te prilikom prijenosa proizvoda na drugog korisnika, proizvod je potrebno dezinficirati kako bi se izbjegla obostrana kontaminacija. Očistite jastuk i navlaku prema prethodnim uputama. Po mogućnosti koristite antibakterijski deterdžent. Nakon pranja, pošpricajte svoj jastuk i navlaku dezinfekcijskim sredstvom. Nagnite odjeljke prema van kako biste bili sigurni da će sprej ući u otvore.

### JAMSTVO

Pogledajte [www.vicair.com](http://www.vicair.com) za potpune informacije o jamstvenim postupcima, uvjetima i odredbama.

Vicair B.V. nudi ograničeno jamstvo za nedostatke u izradi i materijalima, pod uvjetom da je proizvod pravilno korišten. Bilo kakvo oštećenje uzrokovano neispravnom uporabom ili neodgovarajućim rukovanjem odnosno nemarom isključeno je iz ovog jamstva.

#### Jamstveno razdoblje

Od originalnog datuma kupnje: 24 mjeseca. SmartCells u ovom Vicair O2 jastuku imaju cjeloživotno jamstveno razdoblje.

U slučaju da se nedostatak u materijalima ili izradi dogodi tijekom prethodno spomenutog jamstvenog razdoblja, Vicair B.V. će – prema vlastitom odabiru – besplatno popraviti ili zamijeniti proizvod. Navlaka za jastuk nije uključena u ovo jamstvo.

Način otklanjanja kršenja izričitog jamstva ograničen je na popravak ili zamjenu proizvoda. Šteta za kršenje bilo kakvog jamstva ni u kom slučaju ne uključuje nikakvu posljedičnu štetu, niti prelazi trošak neodgovarajuće prodane robe.

#### Imate li pitanja?

Kontaktirajte Vicair B.V. na [info@vicair.com](mailto:info@vicair.com) ili kontaktirajte distributera Vicaira za Vašu zemlju.

## SL UPORABNIŠKI PRIROČNIK ZA VICAIR® XXTRA O2

Spoštovani uporabnik,

zahvaljujemo se vam, ker ste se odločili za nakup izdelka Vicair®. Prepričani smo, da vas bodo njegove preprostost, zanesljivost in učinkovitost navdušile. Za hitro namestitev lahko uporabite kratka navodila, ki so priložena blazini. Pred uporabo morate prebrati in razumeti tudi ta uporabniški priročnik. Kratka navodila in ta priročnik shranite za prihodnjo uporabo.

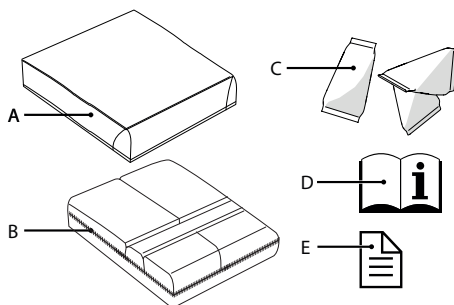
Če potrebujete več informacij ali če želite (ponovno) naročiti priročnike, se obrnite na distributerja za vašo državo.

Za informacije o distributerjih obiščite spletno mesto [vicair.com](http://vicair.com).

### UVOD

Vicair XXtra O2 je velika sedežna blazina za invalidske vozičke, ki osebam s prekomerno telesno težo in povečanim tveganjem za razvoj razjed zaradi pritiska zagotavlja visoko stopnjo zaščite kože. Uporablja se za izboljšanje telesne drže, za preprečevanje razjed zaradi pritiska ter zagotavljanje udobja in stabilne podpore telesu. Hkrati se uporablja tudi kot učinkovit pripomoček pri zdravljenju razjed zaradi pritiska (stopnje I–IV). Blazino Vicair XXtra O2 lahko perete v pralnem stroju, ne da bi vam bilo treba odstraniti jedra SmartCells!

### OSNOVNI SESTAVNI DELI



- A Prevelka za blazino
- B Blazina
- C Jedro SmartCells™, vstavljeno v 5 razdelkov
- D Uporabniški priročnik
- E Kratka navodila (Quick Installation Guide)

### SPLOŠNI PODATKI O IZDELKU

Ime izdelka:	Vicair XXtra O2
Proizvajalec:	Vicair B.V., Nizozemska
Garancija:	24 mesecev
Teža (brez prevleke):	Najmanjši model: 0,5 kg / 1,1 lbs Srednji model: 0,8 kg / 1,8 lbs Največji model: 1 kg / 2,2 lbs
Razpoložljive velikosti:	Glejte razpredelnico na koncu priročnika
Uporabljeni materiali:	ne vsebujejo lateksa
Blazina:	Zgornji del poliester s poliuretanskim premazom, spodnji del iz mrežastega poliestra
Polnilo:	zračno jedro SmartCells s prevleko za zmanjšanje trenja
Prevelka za blazino O2 Top Cover:	Zgornji del: Pletena poliesterska tkanina. Spodnji rob: Polieterska tkanina s protizdrsnim poliuretanskim slojem.

### **Druge prevleke za blazino:**

Prevleka za blazino Comfair Cover: Zgornji del: Pletena poliesterška tkanina. Stranski deli: Mrežasta 3D poliesterška tkanina. Spodnji del: Poliesterška tkanina s protizdrsnim poliuretanskim slojem.

Prevleki za blazino Incotec Cover: Zgornji del: Pletena poliesterška tkanina, prevlečena z vodoodbojnim zračnim poliuretanom. Spodnji del: Poliesterška tkanina s protizdrsnim poliuretanskim slojem.

Vse prevleke: Primerne so za pranje v pralnem stroju. Prevleke so skladne s standardi EN1021-1, 1021-2 in CAL117.

## **PREVIDNOSTNI UKREPI IN VARNOSTNA NAVODILA**

---

Sedežna blazina za invalidske vozičke Vicair se lahko uporablja samo kot blazina za sedež invalidskega vozička. Uporaba tega izdelka za druge namene se šteje za napačno. Družba Vicair B.V. ne prevzema odgovornosti za škodo, ki nastane zaradi napačne ali nepravilne uporabe ali malomarnosti. Priročnik morate obvezno v celoti prebrati in razumeti.

**Opozorilo!** Družba Vicair B.V. priporoča, da blazino Vicair XXtra O2 namestite pod neposrednim nadzorom terapevta ali tehničnega svetovalca.

**Opozorilo!** Trtica in medenične kosti ne smejo biti v stiku z dnom blazine. Med prvo uporabo in po prilagajanju napolnjenosti blazine preverite, da se trtica in medenične kosti ne posedejo do dna blazine.

**Opozorilo!** Redno preverjajte, ali je koža pordela, zlasti prve dni. Če se pojavi rdečina, ki po 15 minutah ne izgine, se posvetujte s svojim terapevtom ali tehničnim svetovalcem.

**Opozorilo!** Družba Vicair B.V. priporoča, da stopnjo napolnjenosti prilagodite pod neposrednim nadzorom terapevta ali tehničnega svetovalca.

**Opozorilo!** Trenutno ni dovolj podatkov o preizkušanju varne uporabe blazine za invalidske vozičke Vicair v motornih vozilih. Uporabe blazine za invalidske vozičke v motornih vozilih zato ne priporočamo.

**Opozorilo!** Če so na blazini prisotni madeži zaradi telesnih tekočin in preden blazino uporabite pri drugem uporabniku, jo dezinficirajte, da preprečite navzkrižno kontaminacijo.

**Opozorilo!** Vsake tri mesece preverite obrabo blazine in puščanje zraka iz celic. Izdelek v primeru hudih poškodb in velikega števila izpraznjenih celih prenehajte uporabljati. Posvetujte se z distributerjem.

**Pozor!** Ne uporabljajte in ne puščajte izdelka v bližini odprtega ognja ali vira toplote.

**Pozor!** Izdelka ne čistite s paro ali v avtoklavu. Izdelek ni obstojen na prekomerno toploto ali tlak. Če ne boste upoštevali navedenih navodil za čiščenje, je zelo verjetno, da se bosta izdelek in/ali prevleka izdelka hitreje obrabila.

**Pozor!** Za čiščenje ne uporabljajte agresivnih ali abrazivnih čistil in ostrih predmetov.

**Pozor!** Zgornje strani blazine Vicair O2 ne polagajte ob steklo vrat pralnega stroja.

**Pozor!** Zagotovite, da blazina ne bo prišla v stik z naperami kolesa.

## **NAMESTITEV**

---

**Opozorilo!** Družba Vicair B.V. priporoča, da blazino Vicair XXtra O2 namestite pod neposrednim nadzorom terapevta ali tehničnega svetovalca.

**Pozor!** Zagotovite, da blazina ne bo prišla v stik z naperami kolesa.

**Obvestilo!** Blazino vedno uporabljajte skupaj s prevleko.

**Obvestilo!** Zagotovite, da bo sedež invalidskega vozička čist in razmaščen.

**Nasvet:** Če ne želite uporabiti sprijemalnih trakov (Velcro), jih lahko odstranite. Trakov, ki so prišli na dno blazine in/ali prevleko blazine, ni mogoče odstraniti.

## Pri uporabi vrhnje prevleke za blazino O2 Top Cover izvedite naslednje korake

Ti koraki ustrezajo slikam namestitve 1–6 v kratkih navodilih:

- Preverite velikost blazine. Širina (X) blazine in sedeža se mora ujemati. Če blazina sloni ob naslonjalih za roke ali stranskih varovalih, je lahko njena širina do 2,5 cm večja. Globina (Y) blazine in sedeža se mora ujemati.
- Preverite, ali velikost prevleke ustreza velikosti blazine.
- S samolepilnih sprijemalnih trakov, pritrjenih na spodnjo stran blazine, odstranite zaščitno folijo.
- Trdno pritisnite blazino, da jo namestite.
- Prevleko za blazino O2 Top Cover namestite na zgornjo stran blazine.
- Napeljite zanko na zadnji strani blazine skozi »gumbnico« na zadnji strani prevleke.
- Za nekaj minut sedite na blazino, da se ta prilagodi obliki vašega telesa.
- Po potrebi prilagodite oporo/-i za noge.

## Druge prevleke za blazino

Te korake izvedite v primeru uporabe prevleke za blazino Comfair Cover ali Incotec Cover.

- Preverite velikost blazine. Širina (X) blazine in sedeža se mora ujemati. Če blazina sloni ob naslonjalih za roke ali stranskih varovalih, je lahko njena širina do 2,5 cm večja. Globina (Y) blazine in sedeža se mora ujemati.
- Preverite, ali velikost prevleke ustreza velikosti blazine.
- S spodnje strani blazine odstranite sprijemalne trakove. Trakov, ki so prišiti na spodnjo stran blazine, ni mogoče odstraniti.
- Blazino vstavite v prevleko.
- Zanko speljite skozi odprtino v prevleki.
- Zaprite zadrgo. Pazite, da ne poškodujete blazine.
- S samolepilnih sprijemalnih trakov, pritrjenih na prevleko blazine, odstranite zaščitno folijo.

- Trdno pritisnite blazino, da jo namestite.
- Za nekaj minut sedite na blazino, da se ta prilagodi obliki vašega telesa.
- Po potrebi prilagodite oporo/-i za noge.

## Preverjanje stika z dnom blazine:

Slika 7 – Kratka navodila

**Opozorilo!** Trtica in medenične kosti ne smejo biti v stiku z dnom blazine. Med prvo uporabo in po prilagajanju napolnjenosti blazine preverite, da se trtica in medenične kosti ne posedejo do dna blazine.

**Opozorilo!** Družba Vicair B.V. priporoča, da stopnjo napolnjenosti prilagodite pod neposrednim nadzorom terapevta ali tehničnega svetovalca.

- Po približno 5 minutah sedenja na blazini preverite, da trtica in medenične kosti niso v stiku z dnom blazine.
- Medtem ko se nagibate naprej, naj terapevt ali tehnični svetovalec potisne roko med vašo zadnjico in blazino Vicair.
- Terapevta ali tehničnega svetovalca prosite, da preveri, ali je pod vašimi sedalnimi kostmi vsaj 2,5-centimetska podpora jedra SmartCells™. Slednje preprečuje stik sedalnih kosti s sedežem invalidskega vozička.
- Če se trtica in medenične kosti posedejo do dna blazine, blazine ne uporabite. V večini primerov je težavo mogoče odpraviti s prilagajanjem stopnje napolnjenosti razdelkov.

## UPORABA

### Preverjanje pordelosti kože

Slika 8 – Kratka navodila

**Opozorilo!** Redno preverjajte, ali je koža pordela, zlasti prve dni. Če se pojavi rdečina, ki po 15 minutah ne izgine, se posvetujte s svojim terapevtom ali tehničnim svetovalcem.

## Prilaganje stopnje napoljenosti

**Opozorilo!** Družba Vicair B.V. priporoča, da stopnjo napoljenosti prilagodite pod neposrednim nadzorom terapevta ali tehničnega svetovalca.

## Pripravljeno na uporabo

Ta izdelek Vicair je pripravljen na uporabo. Izdelek ima glede na velikost in model edinstveno stopnjo napoljenosti in samodejno odpravlja manjše nepravilnosti. Vendar je stopnjo napoljenosti – kadar je potrebna opora za večje telesne asimetrije – mogoče prilagoditi z odstranjevanjem celic SmartCells iz različnih razdelkov ali dodajanjem celic vanje. Privzeta stopnja napoljenosti je navedena na oznaki na blazini.

## Pogoji uporabe in shranjevanja

**Pozor!** Ne uporabljajte in ne puščajte izdelka v bližini odprtega ognja ali vira toplote.

- **Teža uporabnika:**  
najmanj: 100 kg / 220 lbs,  
največ: 500 kg/ 1102 lbs
- **Temperatura:**  
najmanj: -20 °C / 4 °F, največ: 55 °C / 131 °F
- **Uporaba na visoki nadmorski višini**  
**Opomba!** Družba Vicair B.V. odsvetuje uporabo blazine na nadmorski višini, više od 2.400 m ali niže od 50 m pod gladino morja. Vsaka celica SmartCell je napolnjena z zrakom, zato se lahko lastnosti blazine pri uporabi na visoki nadmorski višini ali v letalu spremenijo. V takšnih primerih lahko trdoto blazine prilagodite tako, da iz vsakega razdelka odstranite nekaj celic.
- **Vlažnost zraka:**  
najmanj: 0 %, največ: 100 %

## Dnevno rahljanje

Družba Vicair B.V. priporoča, da blazino Vicair vsak dan pred uporabo zrahljate.

## Uporaba sedežnih blazin Vicair v motornih vozilih

**Opozorilo!** Trenutno ni dovolj podatkov o preizkušanju varne uporabe blazine za invalidske vozičke Vicair v motornih vozilih. Uporabe blazine za invalidske vozičke v motornih vozilih zato ne priporočamo. Če potrebujete dodatno zaščito med prevozom, lahko namesto blazine za invalidske vozičke Vicair uporabite vsestransko blazino Vicair AllRounder O2 (ki jo je mogoče pripeti na telo uporabnika).

## Ponovna uporaba – predaja izdelka drugemu uporabniku

Izdelek je primeren za večkratno uporabo. Število ponovnih uporab izdelka je odvisno od pogostosti in načina uporabe. Preden lahko izdelek uporabi druga oseba, ga morate temeljito očistiti in dezinficirati. Za navodila glejte poglavje «Vzdrževanje in čiščenje». **Obvestilo!** Poskrbite, da bo izdelek pravilno prilagojen drugi osebi.

## Zamenjava prevleke za blazino

Družba Vicair B.V. priporoča, da prevleko za blazino ob običajni uporabi zamenjate enkrat letno. Nadomestne prevleke so naprodaj posebej.

## Odstranjevanje

Pri odstranjevanju in recikliranju uporabljenih naprav in embalaže je treba upoštevati veljavne zakonske predpise. Poskrbite, da je izdelek pred odstranitvijo očiščen, da se prepreči tveganje okužb.

## VZDRŽEVANJE IN ČIŠČENJE

**Opozorilo!** Vsake tri mesece preverite obrabo blazine in puščanje zraka iz celic. Izdelek v primeru hudih poškodb in velikega števila izpraznjenih celih prenehajte uporabljati. Posvetujte se z distributerjem.

**Pozor!** Izdelka ne čistite s paro ali v avtoklavu. Ni obstojen na prekomerno toploto ali tlak. Če ne boste upoštevali navedenih navodil za čiščenje, je zelo verjetno, da se bo izdelek hitreje obrabil.

**Pozor!** Za čiščenje ne uporabljajte agresivnih ali abrazivnih čistil in ostrih predmetov.

**Pozor!** Zgornje strani blazine Vicair O2 ne polgajte ob steklo vrat pralnega stroja.

### Čiščenje izdelka Vicair XXtra O2

#### • Čiščenje prevleke za blazino Vicair XXtra O2

Prevleko za blazino lahko perete v pralnem stroju. Upošteвайте navodila za pranje na oznaki, pritrjeni na notranji strani prevleke. (60 °C= 140 °F)



#### • Čiščenje blazine Vicair XXtra O2

Blazino Vicair O2 je mogoče oprati v pralnem stroju pri temperaturi 60 °C/140 °F s programom proti mečkanju in blagim detergentom. Pred pranjem blazine v pralnem stroju celice SmartCells ni treba odstraniti. Prepričajte se, da zgornja stran blazine ni potisnjena ob steklo vrat pralnega stroja. Ne naložite stroja do več kot polovice maksimalne teže polnitve. Zmanjšajte število obratov centrifuge. Pri uporabi stroja z mešalnikom se prepričajte, da se blazina lahko prosto giblje po bobnu. Ne uporabljajte belil na osnovi klora in izdelka ne čistite kemično! Blazine Vicair O2 ne sušite v sušilniku, temveč na zraku. Blazino Vicair O2 lahko obesite na vrv, da se posuši.



### Razkuževanje izdelka Vicair XXtra O2

**Opozorilo!** Če so na blazini prisotni madeži zaradi telesnih tekočin in preden blazino uporabite pri drugem uporabniku, jo dezinficirajte, da preprečite navzkrižno kontaminacijo. Blazino in prevleko

očistite skladno z zgornjimi navodili. Po možnosti uporabite antibakterijski detergent. Po čiščenju blazino in prevleko popršite z dezinfekcijskim sredstvom. Predelke opognite navzven, da pršilo nanesete tudi v reže.

### GARANCIJA

Za celotne informacije o garancijskih postopkih in pogojih obiščite spletno mesto [www.vicair.com](http://www.vicair.com). Družba Vicair B.V. ob običajni uporabi izdelka zagotavlja omejeno garancijo za napake v izdelavi in materialu. Škoda, ki nastane zaradi neobičajne uporabe ali nepravilnega ravnanja, čiščenja ali malomarnosti, ni vključena v garancijo.

#### Garancijski rok

Od dneva prvega nakupa: 24 mesecev.

Celice SmartCells v blazini Vicair O2 imajo doživljenjski garancijski rok.

Če napako v materialu ali izdelavi odkrijete znotraj navedenega garancijskega roka, družba Vicair B.V. po lastni presoji brezplačno popravi ali zamenja izdelek. Prevleka za blazino je izključena iz te garancije.

Pravna sredstva za kršitev izrecnih garancij so omejena na popravilo ali zamenjavo izdelka. Škoda zaradi kršitve garancije v nobenem primeru ne bo vključevala nobene posledične škode in ne bo preseгла stroška kupljenega neustreznega izdelka.

#### Ali imate kakšna vprašanja?

Na družbo Vicair B.V. se obrnite prek e-poštnega naslova [info@vicair.com](mailto:info@vicair.com) ali pa se obrnite na distributerja za izdelke Vicair v svoji državi.

Szanowni klienci!

Dziękujemy za wybór produktu marki Vicair®. Jesteśmy pewni, że docenią Państwo jego prostotę, niezawodność i fantastyczne działanie. W celu szybkiej instalacji można skorzystać ze skróconej instrukcji instalacji dostarczonej wraz z poduszką. Przed rozpoczęciem użytkowania należy również zapoznać się z niniejszą instrukcją obsługi i przyswoić sobie jej treść. Zarówno skróconą instrukcję montażu, jak i niniejszą instrukcję obsługi należy zachować do wykorzystania w przyszłości.

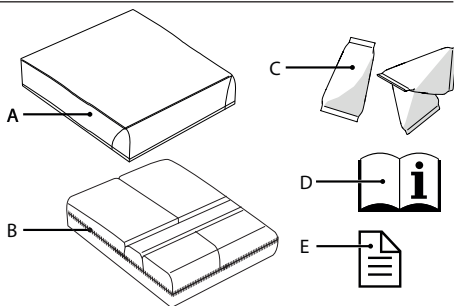
Aby uzyskać więcej informacji lub do zamówić instrukcję, należy skontaktować się z dystrybutorem w danym kraju.

Informacje na temat dystrybutora znajdują Państwo na stronie [vicair.com](http://vicair.com).

## WPROWADZENIE

Vicair XXtra O2 to duża poduszka przeznaczona do wózka inwalidzkiego, która zapewnia bardzo wysoki poziom ochrony skóry osobom otyłym i obciążonym wysokim ryzykiem powstania odleżyn. Jest ona stosowana w celu poprawienia pozycji ciała, zapobiegania powstawaniu odleżyn oraz zapewnienia komfortu i stabilności podparcia. Jest to również skuteczny dodatek do planu leczenia odleżyn (etap I-IV). Poduszkę Vicair XXtra O2 można prać w pralce bez wyjmowania wkładów SmartCells!

## GŁÓWNE ELEMENTY



- A** Pokrowiec na poduszkę
- B** Poduszka
- C** Wkłady SmartCells™, umieszczone w 5 komorach
- D** Instrukcja obsługi
- E** Skrócona instrukcja instalacji (Quick Installation Guide)

## OGÓLNE SPECYFIKACJE PRODUKTU

Nazwa produktu:	Vicair XXtra O2
Producent:	Vicair B.V., Holandia
Gwarancja:	24 miesiące
Ciężar (bez pokrowca):	Rozmiar najmniejszy: 0,5 kg / 1,1 lbs Rozmiar średni: 0,8 kg / 1,8 lbs Rozmiar największy: 1 kg / 2,2 lbs
Dostępne rozmiary:	Sprawdź siatkę na odwrocie instrukcji
Zastosowane materiały:	Bez zawartości lateksu
Poduszka:	Wierzch wykonany z tkaniny poliestrowej w powłoką poliuretanową, spód z tkaniny z siatki poliestrowej
Wypełnienie:	Wypełnione powietrzem wkłady SmartCells o niskim współczynniku tarcia powłoki

Pokrowiec na poduszkę O2 Top Cover: Góra: Działina poliestrowa. Obręcz dolna: Tkanina poliestrowa z poliuretanową powłoką antypoślizgową.

### **Alternatywne pokrowce**

Pokrowiec Comfair Cover: Góra: Działina poliestrowa. Boki: Siatkowa tkanina poliestrowa 3D. Spód: Tkanina poliestrowa z poliuretanową powłoką antypoślizgową.

Pokrowiec Incotec Cover: Góra: Działina poliestrowa, powlekana oddychającym poliuretanem odpornym na działanie płynów. Spód: Tkanina poliestrowa z poliuretanową powłoką antypoślizgową.

Wszystkie pokrowce: można prać w pralce.

Pokrowce spełniają wymogi norm PN-EN 1021-1, 1021-2 i CAL117.

## **ŚRODKI OSTROŻNOŚCI I INSTRUKCJE BEZPIECZEŃSTWA**

Poduszki Vicair do wózka inwalidzkiego można używać tylko jako siedziska do wózka inwalidzkiego. Korzystanie z tego produktu w jakikolwiek inny sposób jest uważane za niewłaściwe użytkowanie. Firma Vicair B.V. nie ponosi odpowiedzialności za szkody powstałe w wyniku niewłaściwego użytkowania, niewłaściwego korzystania lub zaniedbania. Prosimy o zapoznanie się z pełną treścią niniejszej instrukcji.

**Ostrzeżenie!** Firma Vicair B.V. zaleca instalowanie poduszki Vicair XXtra O2 pod bezpośrednim nadzorem terapeuty lub doradcy technicznego.

**Ostrzeżenie!** Kość ogonowa i kości miednicy nie powinny dotykać dna poduszki. Kontrolę „bottoming out” należy wykonać w czasie pierwszego użycia i po dostosowaniu wypełnienia poduszki.

**Ostrzeżenie!** Regularnie sprawdzaj skórę pod kątem zaczerwienienia, zwłaszcza w ciągu kilku pierwszych dni. Jeśli wystąpi zaczerwienienie, które nie znika po upływie 15 minut, skonsultuj się z terapeutą lub doradcą technicznym.

**Ostrzeżenie!** Firma Vicair B.V. zaleca dostosowanie wypełnienia poduszki pod bezpośrednim nadzorem terapeuty lub doradcy technicznego.

**Ostrzeżenie!** Obecnie nie są dostępne żadne dane na temat bezpiecznego korzystania z poduszki Vicair w pojazdach silnikowych. Dlatego nie zalecamy stosowania tej poduszki w pojazdach silnikowych.

**Ostrzeżenie!** W przypadku zabrudzenia płynami ustrojowymi lub przekazania produktu innemu użytkownikowi produkt należy zdezynfekować w celu uniknięcia zanieczyszczenia krzyżowego.

**Ostrzeżenie!** Raz na trzy miesiące należy sprawdzić produkt pod kątem zużycia i spadku ciśnienia powietrza w wypełnieniu. W przypadku poważnego uszkodzenia lub spadku ciśnienia powietrza w wielu wkładach nie należy więcej korzystać z produktu. Należy skonsultować się ze sprzedawcą.

**Przeostroga!** Nie używaj ani nie pozostawiaj produktu w pobliżu otwartego ognia lub źródła ciepła o wysokiej temperaturze.

**Przeostroga!** Nie czyść produktu parą ani autoklawem. Produkt nie wytrzyma nadmiernego ciepła lub ciśnienia. Jeśli podane instrukcje dotyczące czyszczenia nie będą przestrzegane, jest bardzo prawdopodobne, że poduszka i/lub pokrowiec szybciej się „zestarzeje”.

**Przeostroga!** Do czyszczenia poduszki nie należy używać żrących czy ścierających środków czyszczących ani ostrych przedmiotów.

**Przeostroga!** Nie umieszczaj górnej części poduszki Vicair O2 przy szklanej powierzchni drzwiczek pralki.

**Przeostroga!** Upewnij się, że poduszka nie może wkręcić się w szprychy kół.

## INSTALACJA

---

**Ostrzeżenie!** Firma Vicair B.V. zaleca instalowanie poduszki Vicair XXtra O2 pod bezpośrednim nadzorem terapeuty lub doradcy technicznego.

**Przeostrożenie!** Upewnij się, że poduszka nie może wkręcić się w szprychy kół.

**Uwaga!** Zawsze używaj poduszki razem z pokrowcem.

**Uwaga!** Upewnij się, że siedzisko wózka jest czyste i odłuszczone.

**Wskazówka:** Jeśli nie chcesz używać rzepów, możesz je usunąć. Należy zauważyć, że paski przymocowane od dołu poduszki i/lub pokrowca nie mogą zostać usunięte.

### W przypadku korzystania z pokrowca na poduszkę O2 Top Cover, wykonaj następujące czynności

Poniższe kroki odpowiadają rysunkom 1-6 zamieszczonym w skróconej instrukcji instalacji:

- Sprawdź rozmiar poduszki. Szerokość (X) poduszki i siedziska powinny do siebie pasować. Jeśli poduszka opiera się o podłokietniki lub boczne osłony, szerokość może być do 2,5 cm (1") większa. Głębokość (Y) poduszki i siedziska powinny do siebie pasować.
- Sprawdź, czy rozmiar pokrowca odpowiada rozmiarowi poduszki.
- Usuń taśmę ochronną z samoprzylepnych pasków rzepów umocowanych od dołu poduszki.
- Umieść poduszkę na siedzisku, mocno dociśnij.
- Umieść pokrowiec na poduszkę O2 Top Cover na poduszcze.
- Przeprowadź pętelkę z tyłu poduszki przez „dziurkę od guzika” z tyłu pokrowca.
- Usiądź na poduszcze na kilka minut, aby poduszka dostosowała się do kształtu ciała.
- W razie potrzeby wyreguluj podnózek/podnóżki.

### Alternatywne pokrowce na poduszkę

Wykonaj poniższe kroki w przypadku korzystania z pokrowca Comfair Cover lub Intotec Cover.

- Sprawdź rozmiar poduszki. Szerokość (X) poduszki i siedziska powinny do siebie pasować. Jeśli poduszka opiera się o podłokietniki lub boczne osłony, szerokość może być do 2,5 cm (1") większa. Głębokość (Y) poduszki i siedziska powinny do siebie pasować.
- Sprawdź, czy rozmiar pokrowca odpowiada rozmiarowi poduszki.
- Usuń paski rzepów ze spodu poduszki. Należy zauważyć, że paski przymocowane od dołu poduszki nie mogą zostać usunięte.
- Włóż poduszkę do pokrowca.
- Przełóż pętlę przez oczko w pokrowcu.
- Zasuń zamek błyskawiczny. Uważaj, aby nie uszkodzić poduszki.
- Usuń taśmę ochronną z samoprzylepnych pasków rzepów umocowanych do pokrowca.
- Umieść poduszkę na siedzisku, mocno dociśnij.
- Usiądź na poduszcze na kilka minut, aby poduszka dostosowała się do kształtu ciała.
- W razie potrzeby wyreguluj podnózek/podnóżki.

### Kontrola „bottoming out”:

Rysunek 7 – Skrócona instrukcja instalacji

**Ostrzeżenie!** Kość ogonowa i kości miednicy nie powinny dotykać dna poduszki. Kontrolę „bottoming out” należy wykonać w czasie pierwszego użycia i po dostosowaniu wypełnienia poduszki.

**Ostrzeżenie!** Firma Vicair B.V. zaleca dostosowanie wypełnienia poduszki pod bezpośrednim nadzorem terapeuty lub doradcy technicznego.

- Sprawdź poduszkę pod kątem „bottoming

out", siedząc na poduszce przez około 5 minut.

- Pochyl się do przodu. Niech Twój terapeuta lub doradca techniczny wsunie dłoń pomiędzy Twoje pośladki i poduszkę Vicair.
- Poproś, aby sprawdził, czy Twoje najniższe punkty kostne są podparte przez warstwę wkładów SmartCells™ o grubości co najmniej 2,5 cm/1". Zapobiega to dotykaniu przez kości siedziska wózka.
- Jeśli dotykają siedziska, nie używaj poduszki. W większości przypadków problem ten rozwiąże wyregulowanie stopnia wypełnienia komór poduszki.

## ZASTOSOWANIE

### Sprawdzanie wystąpienia zaczerwienienia skóry

Rysunek 8 – Skrócona instrukcja instalacji

**Ostrzeżenie!** Regularnie sprawdzaj skórę pod kątem zaczerwienienia, zwłaszcza w ciągu kilku pierwszych dni. Jeśli wystąpi zaczerwienienie, które nie znika po upływie 15 minut, skonsultuj się z terapeutą lub doradcą technicznym.

### Regulacja stopnia wypełnienia

**Ostrzeżenie!** Firma Vicair B.V. zaleca dostosowanie wypełnienia poduszki pod bezpośrednim nadzorem terapeuty lub doradcy technicznego.

### Gotowość do użycia:

Ten produkt Vicair jest gotowy do użycia. Posiada niepowtarzalny stopień wypełnienia, w zależności od rozmiaru i modelu. Automatycznie usuwa niewielkie pochyłości. Jednakże — jeśli konieczne jest skorygowanie większej asymetrii — stopień wypełnienia można wyregulować poprzez usunięcie lub dodanie wkładów SmartCells z/do poszczególnych komór. Informacje o domyślnym stopniu wypełnienia można znaleźć na etykiecie dołączonej do poduszki.

### Warunki użytkowania i przechowywania

**Przeostrożenie!** Nie używaj ani nie pozostawiaj produktu w pobliżu otwartego ognia lub źródła ciepła o wysokiej temperaturze.

#### • **Waga użytkownika:**

Minimalna: 100 kg / 220 lbs  
maksymalna: 500 kg / 1102

#### • **Temperatura:**

Minimalna: -20°C / 4°F,  
maksymalna: 55°C / 131°F

#### • **Użytkowanie na dużej wysokości**

**Uwaga!** Firma Vicair B.V. nie zaleca stosowania poduszki na wysokościach powyżej 2400 m (8000 stóp) nad poziomem morza ani poniżej 50 m (164 stóp) poniżej poziomu morza. Ponieważ każdy element SmartCells jest wypełniony powietrzem, poduszka może zachowywać się inaczej, gdy jest użytkowana na dużych wysokościach lub w samolocie. W takich warunkach twardość poduszki można wyregulować poprzez usunięcie kilku wkładów z każdej komory.

#### • **Wilgotność powietrza:**

Minimalna: 0%, maksymalna 100%

### Codziennie spulchnianie

Firma Vicair B.V. zaleca codzienne „spulchnianie” poduszki Vicair przed użyciem.

### Korzystanie z poduszki Vicair w pojazdach silnikowych

**Ostrzeżenie!** Obecnie nie są dostępne żadne dane na temat bezpiecznego korzystania z poduszki Vicair w pojazdach silnikowych. Dlatego nie zalecamy stosowania tej poduszki w pojazdach silnikowych. Jeśli potrzebujesz dodatkowej ochrony podczas transportu, jako alternatywę dla poduszki Vicair do wózka inwalidzkiego możesz wykorzystać produkt Vicair AllRounder O2 (który można przymocować do ciała użytkownika).

## Ponowne wykorzystanie – Przekazanie produktu innemu użytkownikowi

Produkt nadaje się do wielokrotnego użytku. Kwestia, ile razy może zostać wykorzystany, zależy od częstotliwości i sposobu użytkowania. Produkt musi zostać starannie oczyszczony i zdezynfekowany, zanim użyje go inna osoba. Patrz rozdział „Konserwacja i czyszczenie”, gdzie znajdziesz instrukcje.

**Uwaga!** Upewnij się, że produkt jest prawidłowo wyregulowany dla drugiej osoby.

## Wymiana pokrowca

W normalnych warunkach firma Vicair B.V. zaleca wymianę pokrowca raz w roku. Pokrowce wymienne można kupić oddzielnie.

## Utylizacja

Utylizacja i recykling zużytych urządzeń i opakowań musi odbywać się zgodnie z obowiązującymi przepisami prawa. Przed przekazaniem do utylizacji produkt należy wyczyścić, aby uniknąć ryzyka zanieczyszczenia.

## KONSERWACJA I CZYSZCZENIE

**Ostrzeżenie!** Raz na trzy miesiące należy sprawdzić produkt pod kątem zużycia i spadku ciśnienia powietrza w wypełnieniu. W przypadku poważnego uszkodzenia lub spadku ciśnienia powietrza w wielu wkładach nie należy więcej korzystać z produktu. Należy skonsultować się ze sprzedawcą.

**Przeostroga!** Nie czyść produktu parą ani autoklawem. Produkt nie wytrzyma nadmiernego ciepła lub ciśnienia. Jeśli podane instrukcje dotyczące czyszczenia nie będą przestrzegane, jest bardzo prawdopodobne, że produkt szybciej się „zestarzeje”.

**Przeostroga!** Do czyszczenia poduszki nie należy używać żrących czy ścierających środków czyszczących ani ostrych przedmiotów.

**Przeostroga!** Nie umieszczaj górnej części

poduszki Vicair O2 przy szklanej powierzchni drzwiczek pralki.

## Czyszczenie poduszki Vicair XXtra O2

### • Czyszczenie pokrowca na poduszkę Vicair XXtra O2

Pokrowiec na poduszkę można prać w pralce. Postępuj zgodnie z instrukcjami prania umieszczonymi na metce wewnątrz pokrowca.

(60 °C= 140 °F)



### • Czyszczenie poduszki Vicair XXtra O2

Poduszkę Vicair O2 można prać w pralce w temperaturze 60°C/140°F, stosując cykl zapobiegający powstawaniu zagnieceń oraz łagodny detergent. Przed włożeniem poduszki do pralki nie musisz wyjmować wkładów SmartCells. Nie umieszczaj górnej części poduszki przy szklanej powierzchni drzwiczek pralki. Nie ładuj pralki do poziomu większego niż połowa jej maksymalnej ładowności. Należy zmniejszyć prędkość wirowania. Jeśli korzystasz z pralki z mieszadłem, upewnij się, że poduszka może swobodnie poruszać się wewnątrz bębna. Nie używaj wybielaczy na bazie chloru i nie czyść chemicznie! Nie poduszki Vicair O2 susz w suszarce bębnowej — pozostaw do wyschnięcia na wolnym powietrzu. Poduszkę Vicair O2 można suszyć w stanie rozwieszonym.



## Dezynfekcja poduszki Vicair XXtra O2

**Ostrzeżenie!** W przypadku zabrudzenia płynami ustrojowymi lub przekazania produktu innemu użytkownikowi produkt należy zdezynfekować w celu uniknięcia zanieczyszczenia krzyżowego. Wyczyść poduszkę i pokrowiec w sposób

opisany powyżej. Najlepiej użyj antybakteryjnego detergentu. Po wyczyszczeniu, spryskaj poduszkę i pokrowiec środkiem dezynfekującym. Wywiń komory na zewnątrz, aby upewnić się, że środek dostanie się do wszystkich szczelin.

## **GWARANCJA**

---

Na stronie [www.vicair.com](http://www.vicair.com) znajdziesz kompletne informacje dotyczące gwarancji, jej zasad i warunków.

Firma Vicair B.V. daje ograniczoną gwarancję na wady wykonania i materiałowe, jeżeli produkt jest używany normalnie. Wszelkie uszkodzenia wynikające z nieprawidłowego użytkowania lub spowodowane przez nieprawidłowe obchodzenie się z produktem, nieprawidłowe czyszczenie lub zaniebdania, są wyłączone z niniejszej gwarancji.

### **Okres gwarancyjny**

Od daty zakupu: 24 miesiące.

Wkłady SmartCells umieszczone w poduszce Vicair O2 posiadają dożywotnią gwarancję.

Jeżeli wada materiałowa lub wykonania ujawni się w ciągu powyższego okresu gwarancyjnego, firma Vicair B.V. — według własnego uznania — naprawi lub wymieni produkt bezpłatnie.

Pokrowiec na poduszkę jest wyłączony z niniejszej gwarancji.

Zadośćuczynienie za naruszenie warunków niniejszej gwarancji jest ograniczone do naprawy lub wymiany produktu.

W żadnym wypadku odszkodowanie za naruszenie warunków gwarancji nie obejmuje strat wynikowych i nie może przekroczyć kosztu towarów niezgodnych.

---

### **Masz pytania?**

Skontaktuj się z firmą Vicair B.V., pisząc na adres [info@vicair.com](mailto:info@vicair.com) lub z krajowym dystrybutorem Vicair.

尊敬的客户，

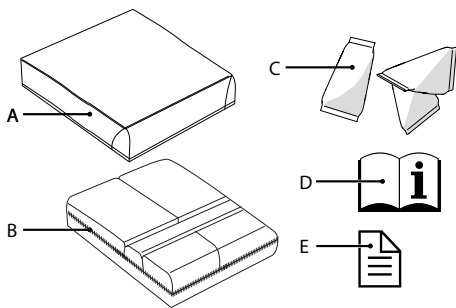
感谢您选择 Vicair® 产品。我们确信您会喜欢这种简单、可靠和难以置信的效果。对于快速安装，可以参阅随坐垫提供的快速安装指南。另外，使用前请阅读并了解本用户手册。保管好快速安装指南和本手册以备将来参考。

更多详细信息或（重新）订购手册，请与贵国的经销商联系。  
经销商信息请访问 [vicair.com](http://vicair.com)。

## 介绍

Vicair XXtra 02 是大尺寸轮椅坐垫，可以为做腹腔镜胃绕道手术而发生压疮的高危人群提供极高水准的皮肤保护。它用来改善身姿，以预防压疮，提供舒适、稳定的身体支撑。也是一种高性能压疮治疗计划的辅助设备（I 至 IV 阶段）。  
Vicair XXtra 02 坐垫可机洗，不用取出 SmartCells!

## 主要组件



- A 坐垫外套
- B 坐垫
- C SmartCells™，放在 5 个隔层中
- D 用户手册
- E 快速安装指南 (Quick Installation Guide)

## 一般产品规格

产品名称：	Vicair XXtra 02
制造商：	荷兰 Vicair B.V.
保固：	24 个月
重量（不包括外套）：	最小尺寸： 0.5 公斤 / 1.1 磅 中等尺寸： 0.8 公斤 / 1.8 磅 最大尺寸： 1 公斤 / 2.2 磅
可供选择的尺寸：	参见手册背面的网格
所用材料：	全部不含乳胶
坐垫：	顶部采用聚氨酯涂料和聚酯织物制成，底部由聚酯网眼织物制成
填充物：	采用低摩擦层的充气 SmartCells

O2 Top Cover 坐垫外套：表面：编织聚酯纤维织物。底面边缘：采用聚氨酯防滑涂层的涤纶织物。

可更换的坐垫外套：

Comfair Cover 坐垫外套：表面：编织聚酯纤维织物。侧面：涤纶 3D 网眼织物。底面：采用聚氨酯防滑涂层的涤纶织物。

Incotec Cover 坐垫外套：表面：编织聚酯纤维织物，包覆防水透气聚氨酯。底面：采用聚氨酯防滑涂层的涤纶织物。

全部外套：可机洗。外套符合 EN1021-1、1021-2 和 CAL117 标准。

## 预防措施和安全说明

Vicair 轮椅坐垫只可用作轮椅坐垫。以任何其他方式使用本产品均视为滥用。Vicair B.V. 对因滥用、不当使用或疏忽而造成的损害不承担责任。确保阅读并完全了解本手册。

警告！ Vicair B.V. 建议在治疗师或技术顾问的直接监督下组装 Vicair XXtra 02。

警告！ 尾椎骨和髌骨不应触到坐垫底部。第一次使用和调整坐垫填充物后，都应检查是否“触底”。

警告！经常检查皮肤是否出现红斑，尤其是刚开始几天。如果出现红斑，且在 15 分钟后未消失，请咨询您的治疗师或技术顾问。

警告！Vicair B.V. 建议在治疗师或技术顾问的直接监督下调整填充等级。

警告！目前没有关于在机动车辆上安全使用 Vicair 轮椅坐垫的测试数据，因此我们不鼓励在机动车辆上使用轮椅坐垫。

警告！如果被体液弄脏，以及把本产品让渡给另一使用者时，必须对产品消毒以避免交叉污染。

警告！每三个月，请检查本产品是否磨损和气囊泄气。如果出现严重损坏或大量气囊泄气，请不要继续使用本产品，并咨询您的经销商。

注意：不要让本产品靠近明火或高温热源。

注意：不要用蒸汽清洁或用高压锅对本产品消毒。本产品不能承受高温或高压。未遵循所规定的清洁说明时，本产品/或本产品外套很可能加速老化。

注意：不要使用粗糙或磨蚀性清洁剂或者尖锐物体清洁坐垫。

注意：不要将 Vicair O2 坐垫的顶部靠在洗衣机门的玻璃上。

注意：请确保坐垫不会妨碍到车轮辐条。

## 组装

警告！Vicair B.V. 建议在治疗师或技术顾问的直接监督下组装 Vicair XXtra O2。

注意：请确保坐垫不会妨碍到车轮辐条。

请注意！坐垫务必使用外套。

请注意！确保轮椅座位清洁且无油污。

提示：如果您不喜欢使用尼龙搭扣，可以取下尼龙搭扣带。请注意，缝制在坐垫底部和/或坐垫外套的尼龙搭扣带不能移除。

使用 O2 Top Cover 坐垫外套时执行以下步骤  
这些步骤对应于快速安装指南中的组装图片 1-6：

- 检查坐垫大小。  
坐垫和座椅的宽度 (X) 应匹配。如果轮椅的扶手或侧挡板有空间容纳坐垫，则坐垫宽度可略宽 2.5 厘米 (1 英寸)。坐垫和座椅的深度 (Y) 应匹配。

- 检查外套的大小是否与坐垫的大小匹配。
- 将安全背带从附在坐垫底面的自粘式尼龙搭扣带上拿掉即可。
- 通过用力按压放置坐垫。
- 将 O2 Top Cover 坐垫外套放在坐垫表面上。
- 将坐垫背面的圈环穿过外套背面的“扣眼”。
- 坐上坐垫几分钟，使坐垫可以贴合您的体型。
- 如果需要，调整脚踏板。

可更换的坐垫外套

使用 Comfair Cover 或 Incotec Cover 坐垫外套时，请执行以下步骤。

- 检查坐垫大小。  
坐垫和座椅的宽度 (X) 应匹配。如果轮椅的扶手或侧挡板有空间容纳坐垫，则坐垫宽度可略宽 2.5 厘米 (1 英寸)。坐垫和座椅的深度 (Y) 应匹配。
- 检查外套的大小是否与坐垫的大小匹配。
- 从坐垫底面取下尼龙搭扣带。请注意，不能取下缝制在坐垫底面的尼龙搭扣带。
- 外套装入外套中。
- 将绳圈穿出外套内的圆孔。
- 拉上拉链。确保不会损坏坐垫。
- 将安全背带从附在坐垫表面的自粘式尼龙搭扣带上拿掉即可。
- 通过用力按压放置坐垫。
- 坐上坐垫几分钟，使坐垫可以贴合您的体型。
- 如果需要，调整脚踏板。

检查是否“触底”：

图 7 - 快速安装指南

警告！尾椎骨和髌骨不应触到坐垫底部。第一次使用和调整坐垫填充物后，都应检查是否“触底”。

警告！Vicair B.V. 建议在治疗师或技术顾问的直接监督下调整填充等级。

- 坐在坐垫上约 5 分钟后，检查是否触到底部。
- 身体前倾时，请治疗师或技术顾问将手滑入您的臀部和 Vicair 坐垫之间。
- 要求治疗师或技术顾问检查您的臀部是否至

少被 2.5 厘米 / 1 英寸的 SmartCells™ 所支撑。这可以防止您的坐骨触到轮椅座位。

- 如果臀部触底，请不要使用该坐垫。在多数情况下，调整隔层的填充等级可解决该问题。

## 使用

---

检查皮肤是否产生红斑

图 8 - 快速安装指南

警告！经常检查皮肤是否出现红斑，尤其是刚开始几天。如果出现红斑，且在 15 分钟后未消失，请咨询您的治疗师或技术顾问。

调整填充等级

警告！Vicair B.V. 建议在治疗师或技术顾问的直接监督下调整填充等级。

随时可用

这款 Vicair 产品随时可用。它根据尺寸和型号有自己独特的填充等级，并自动管理小的倾斜度。但是如有必要，可以通过增加或减少各隔层内的 SmartCells 来调整填充等级，以支持更多的极端偏位情况。您可以在附到坐垫上的标签上找到默认填充等级。

使用和存放条件

注意：不要让本产品靠近明火或高温热源。

- 使用者重量：  
最小值：100 公斤 / 220 磅，  
最大值：500 公斤 / 1102 磅
- 温度：  
最低值：-20 °C / 4 °F，  
最高值：55 °C / 131 °F
- 高海拔地区使用  
请注意！Vicair B.V. 建议不要在海拔 2400 米（8000 英尺）以上或低于海平面 50 米（164 英尺）以下地区使用本坐垫。因为每个 SmartCell 都充满空气，在高海拔地区或飞机上使用时，坐垫的作用可能会失常。在这种情况下，可以从每个隔层中取出几个气囊来调整坚硬度。
- 空气湿度：

最小值：0%，最大值：100%

每日保持坐垫松软

Vicair B.V. 建议每日使用前保持 Vicair 坐垫松软。

在机动车辆内使用 Vicair 坐垫

警告！目前没有关于在机动车辆上安全使用 Vicair 轮椅坐垫的测试数据，因此我们不鼓励在机动车辆上使用轮椅坐垫。作为 Vicair 轮椅坐垫的替代产品，如果您在运输过程中需要额外保护，可以使用 Vicair AllRounder 02（它可以固定使用者的身体）。

再次使用 - 让渡产品给其他使用者

本产品适合重复使用。使用次数取决于使用本产品的频次和方式。另一人使用前，要对本产品彻底清洗并消毒。参见“维护和清洗”一章。

请注意！确保为另一个正确调整坐垫。

更换坐垫外套

正常使用状况下，Vicair B.V. 建议每年更换坐垫外套。坐垫外套可以单独购买。

处置

所用设备和包装的处置及回收利用必须遵守适用的法律法规。确保产品在处置之前要清洁，以避免发生任何污染的风险。

维护和清洗

---

警告！每三个月，请检查本产品是否磨损和气囊泄气。如果出现严重损坏或大量气囊泄气，请不要继续使用本产品，并咨询您的经销商。

注意：不要用蒸汽清洁或用高压锅对本产品消毒。它不能承受高温或高压。未遵循所规定的清洁说明时，本产品很可能会加速老化。

注意：不要使用粗糙或磨蚀性清洁剂或者尖锐物体清洁坐垫。

注意：不要将 Vicair 02 坐垫的顶部靠在洗衣机门的玻璃上。

## 清洗 Vicair XXtra O2

- 清洗 Vicair XXtra O2 坐垫外套  
坐垫外套可机洗。请参照外套内部所附标签上的洗涤说明。  
(60 ° C=140 ° F)



- 清洗 Vicair XXtra O2 坐垫  
Vicair O2 坐垫可使用 60° C / 140° F 的水和中性清洁剂进行防皱循环机洗。将坐垫放入洗衣机前，不需要取下 SmartCells。确保不要将坐垫顶部靠在洗衣机门的玻璃上。机器负载不要超过最大负载重量的一半。应该降低脱水速度。使用带搅拌器的机器时，确保坐垫可以在滚筒内自由移动。不要使用任何含氯漂白剂和干洗！不要用滚筒烘干 Vicair O2 坐垫，而要晾干。您可以使用吊绳悬挂 Vicair O2 坐垫进行晾晒。



## 对 Vicair XXtra O2 消毒

警告！如果被体液弄脏，以及把本产品让渡给另一使用者时，必须对产品消毒以避免交叉污染。按上述说明清洁坐垫和外套。最好使用抗菌剂。清洗后用消毒剂喷涂坐垫和外套。翻出隔层，确保喷雾能进入缝隙。

## 保固

有关保固流程、条款与条件的完整信息，请访问 [www.vicair.com](http://www.vicair.com)。

在产品正常使用下，Vicair B.V. 对工艺和材料缺陷提供有限保固。因不正常使用、不当处理、清洗或疏忽造成任何损坏，则不在本保固范围内。

### 保固期

自原始购买之日起：24 个月。

这款 Vicair O2 坐垫中的 SmartCells 具有终身保固期。

在上述保固期内出现材料或工艺缺陷，Vicair B.V. 将自行选择免费维修还是更换产品。坐垫外套不在本保固范围内。

违反此处明示保固条款的补救措施仅限于维修或更换产品。

在任何情况下，违反任何保固条款所造成的损坏均不应包括间接损坏或超出不合格商品销售的费用。

### 有问题吗？

发电子邮件至 [info@vicair.com](mailto:info@vicair.com) 联系 Vicair B.V. 或联系贵国的 Vicair 分销商。

お客様へ

Vicair® 製品をお買い上げいただき、ありがとうございます。このシンプルで信頼性の高い、すばらしい効果をお楽しみいただけることと存じます。クッションに同封されている「クイックインストールガイド」をご利用になると、迅速に設置できます。さらに、お使いになる前に本ユーザーマニュアルをよく読んで、ご理解いただくようお願いいたします。将来参照できるよう、「クイックインストールガイド」と本ユーザーマニュアルの両方を保管してください。

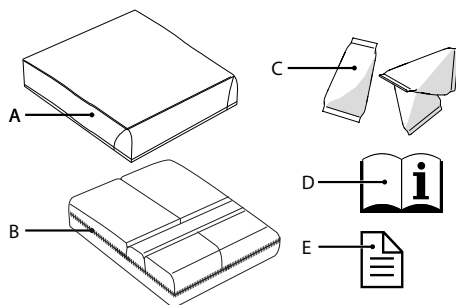
詳細またはマニュアルの再注文に関しては、お住まいの国の販売業者にお問い合わせください。

販売業者情報は、vicair.com にてご覧になれます。

## 紹介

Vicair XXtra 02 は大判の車いす用座席クッションで、褥瘡（じょくそう）ができるリスクを持つ肥満した方に非常に高いレベルの皮膚の保護をお届けします。姿勢改善、褥瘡（じょくそう）防止のほか、快適で安定した身体の支えを提供するために使用します。また、ステージの進んだ褥瘡（じょくそう）治療計画（ステージ I-IV）にも、優れた高性能を追加するものとなります。Vicair XXtra 02 クッションは、SmartCells を付けたままで洗たく機で丸洗いです！

## 主な構成部分



- A クッションカバー
- B クッション
- C SmartCells™ (5個のコンポーネントに設置)
- D ユーザーマニュアル
- E クイックインストールガイド  
(Quick Installation Guide)

## 一般的な製品の仕様

製品名:	Vicair XXtra 02
製造業者:	Vicair B.V. (オランダ)
保証:	24 ヶ月間
重量 (カバーを除く):	小型: 0.5 kg / 1.1 lbs 中型: 0.8 kg / 1.8 lbs 大型: 1 kg / 2.2 lbs
ご利用可能なサイズ:	マニュアルの後ろのページの「グリッド」参照
素材:	トップはポリウレタンコーティングされたポリエステル生地製、ボトムはポリエステルメッシュ生地製
クッション:	ポリエステル織物、ポリウレタン塗料
中綿:	低反発素材のコーティングを施したエア充填式 SmartCells (スマートセル)

02 Top Cover クッションカバー: 上部: ニットポリエステル織布。底部の縁: ポリエステル織物、ポリウレタン滑り止めコーティング。

代替クッションカバー:

ComFair Cover クッションカバー: 上部: ニットポリエステル織布。側部: ポリエステル3Dメッシュ織物。底部: ポリエステル織物、ポリウレタン滑り止めコーティング。

Incotec Cover クッションカバー クッションカバー: 上部: ニットポリエステル織布、流体抵抗性・通気性ポリウレタンのコーティング。底部: ポリエステル織物、ポリウレタン滑り止めコーティング。

オールカバー: 洗たく機で丸洗い可。カバーは、EN1021-1, 1021-2 および CAL117 に準拠しています。

## 注意と安全のための指示

---

Vicair 車いす用座席クッションは、車いす用座席クッションとしてのみご使用いただけます。本製品を意図されている以外のいずれかの方法で使用することは、誤用とされます。

Vicair B.V. は、誤用や適切でない使用、または過失により起こったダメージについては責任を負いません。本マニュアルを完全に読んで理解していただくようお願いいたします。

**警告!** Vicair B.V. は、Vicair XXtra 02 を療法士または技術アドバイザーの直接の監督の下で設置することを推奨します。

**警告!** 尾てい骨と骨盤の骨がクッションの底部に触れないようにしてください。「ボトムアウト」のチェックは、最初の使用時にクッションのフィラーを調整した後に行われる必要があります。

**警告!** 皮膚に発赤がないか、最初の2、3日は特に気を付けて確認してください。発赤が起これば、15分経っても消えない場合には、療法士または技術アドバイザーにご相談ください。

**警告!** Vicair B.V. は、フィラーのレベル調整は医療従事者または技術アドバイザーの直接の監督の下で行うことを推奨します。

**警告!** 現在のところ、Vicair 車いす用クッションを自動車で安全に使用する際のテストデータはありません。したがって、車いす用クッションを自動車で使用することは奨励しません。

**警告!** 体液で汚してしまった場合、また製品を別のユーザーに譲る場合、製品は交差汚染を避けるため、消毒される必要があります。

**警告!** 消耗や潰れたセルがないか、3か月ごとに製品を確認してください。大きなダメージがある場合、または多数の潰れているセルがある場合、製品使用を継続しないでください。販売業者にご連絡ください。

**注意!** 製品は、炎や高温の熱源の傍で使用したり放置したりしないでください。

**注意!** 製品を蒸気消毒したり（消毒のために）高圧処理したりしないでください。製品は、過度の熱や圧力に耐えられません。消毒・洗たくの指示が守られない場合、製品やそのカバーの劣化が加速する可能性が非常に高くなります。**注意!** クッションを洗たくする際には、強いクレンザーや研磨剤入りのクレンザー、または鋭利な物質を使用しないでください。

**注意!** Vicair 02 クッションの上側を洗たく機のドアのガラスに直接置かないでください。

**注意!** クッションが車いすのスポークに接触しないようご注意ください。

## 設置

---

**警告!** Vicair B.V. は、Vicair XXtra 02 を療法士または技術アドバイザーの直接の監督の下で設置することを推奨します。

**注意!** クッションが車いすのスポークに接触しないようご注意ください。

**注意!** クッションは常にカバーを付けて使用してください。

**注意!** 車いすの座席が清潔であり、油がついていないことを確認してください。

**ヒント:** ベルクロをご使用になりたくない場合には、ベルクロのストリップを取り外すことができます。ストリップがクッションおよび/またはクッションカバーの底につながっているため、ストリップを除去することができないことにご注意ください。

02 Top Cover クッションカバーをご使用の際には、以下のステップを行ってください。

これらステップは、クイックインストールガイ

下のインストールのイラスト1~6に対応します。

- クッションのサイズを確認する。  
クッションの幅 (X) と座席がマッチすること。クッションがひじ掛けやサイドガードに乗る場合、幅は最大 2,5 cm となります。クッションの深さ (Y) と座席がマッチすること。
- カバーのサイズがクッションのサイズと合っていることを確認してください。
- クッションの底部に装着しているベルクロの接着剤付きストリップから保護用のバックリングテープを剥がします。
- クッションをギュッと押すように、圧力をかけながらくるんでください。
- 02 Top Cover クッションカバーでクッションをくるみます。
- クッションの裏側にあるループをカバーの裏側にあるボタン穴に通してください。
- クッションの上に2、3分腰かけ、クッションをあなたの体型に適応させます。
- 必要に応じてフットレストを調整します。

#### 代替クッションカバー

Comfair Cover クッションカバー、または Incotec Cover クッションカバー を使うときは次のステップを実行してください。

- クッションのサイズを確認する。  
クッションの幅 (X) と座席がマッチすること。クッションがひじ掛けやサイドガードに乗る場合、幅は最大 2,5 cm となります。クッションの深さ (Y) と座席がマッチすること。
- カバーのサイズがクッションのサイズと合っていることを確認してください。
- ベルクロのストリップをクッションの底部から剥がします。クッション底部につなげられているストリップは、取り外しできませんのでご注意ください。
- クッションをカバーでくるんでください。
- カバーの鳩目 (アイレット) にループを渡します。
- ジッパーを締めます。クッションを傷つ

ないようにご注意ください。

- クッションカバーに装着しているベルクロの接着剤付きストリップから保護用のバックリングテープを剥がします。
- クッションをギュッと押すように、圧力をかけながらくるんでください。
- クッションの上に2、3分腰かけ、クッションをあなたの体型に適応させます。
- 必要に応じてフットレストを調整します。

「ボトムアウト」をチェックしてください：  
イラスト 7 - クイックインストールガイド  
警告! 尾てい骨と骨盤の骨がクッションの底部に触れないようにしてください。「ボトムアウト」のチェックは、最初の使用時にクッションのフィルターを調整した後に行われる必要があります。

警告! Vicair B.V. は、フィルターのレベル調整は医療従事者または技術アドバイザーの直接の監督の下で行うことを推奨します。

- クッションの上におよそ5分間腰かけ、「ボトムアウト」がないか (=平たくなりすぎていないか) 確認します。
- 医療従事者または技術アドバイザーに、前屈みの体勢であなたの臀部と Vicair クッションのあいだに手を差し入れてもらいます。
- 療法士または技術アドバイザーに、あなたの一番低い骨突出部位が、最低 2,5 cm の SmartCells™ でサポートされているか確認してもらいます。これにより、隆起部が車いすの座席に触れることを妨げられます。
- 「ボトムアウト」が起こる場合には、クッションは使用しないでください。ほとんどの場合、コンパートメントのフィルターのレベルを調整すると、問題は解決します。

#### 使用

皮膚の発赤がないか確認してください

イラスト 8 - クイックインストールガイド  
警告! 皮膚に発赤がないか、最初の2、3日は特に気を付けて確認してください。発赤が起こり、15 分経っても消えない場合には、療法士

または技術アドバイザーにご相談ください。

## フィルターレベルの調整

**警告!** Vicair B.V. は、フィルターレベル調整は療法士または技術アドバイザーの直接の監督の下で行うことを推奨します。

## 使用準備完了

Vicair 製品はすぐに使用できる状態にあります。サイズやモデルによってそれぞれ独自のフィルターレベルがあり、自動的に小さな傾斜を管理します。但し、非対称性が極端なものに対応する必要がある場合には、SmartCells を各コンパートメントから増減・着脱させることにより、フィルターレベルは調整可能です。初期設定のフィルターレベルは、クッションのラベルに記載されています。

## 使用と保管の条件

**注意!** 製品は、炎や高温の熱源の傍で使用したり放置したりしないでください。

- ユーザーの重量：最低:100 kg / 220 lbs、  
最大：500 kg / 1102
- 温度：最低:-20 °C / 4 °F、  
最大:55 °C / 131 °F
- 高所での使用

**注意!** Vicair B.V. は、クッションを海拔 2400 m を越える高所または海面下 50 m より低い場所で使用しないように推奨しています。各 SmartCell にはエアールが充填されているため、クッションは高所や機内で使用される際には異なる反応を示す場合があります。このような状況では、各コンパートメントから2、3セルを取り外すことによって、クッションの硬さを調整できます。

- 大気湿度：  
最低:0%、最大: 100%

## 毎日の拡張

Vicair B.V. は、毎日、お手持ちの Vicair クッションをご使用になる前に、叩いて膨らませることを推奨します。

Vicair 座席クッションの自動車でのご使用  
**警告!** 現在のところ、Vicair 車いす用クッションを自動車で安全に使用する際のテストデータはありません。したがって、車いす用クッションを自動車で使用することは奨励しません。お使いの Vicair 車いす用クッションの代替として、交通機関でさらなる保護を必要とする場合には、Vicair AllRounder 02（こちらはユーザーの体に締め付けて使用するタイプです）をご使用いただくことができます。

再利用 - 製品を別のユーザーに譲る場合  
製品は繰り返し使用することができます。使用回数は製品をどのように使用したかとその頻度によって異なります。別のひとがご使用になる前に、製品は完全に洗たくされ、消毒されなければなりません。「お手入れと洗たく」の章にある指示をご覧ください。

**注意!** 新しく使う人に合わせて、製品が正しく調整されていることを確認してください。

## クッションカバーの交換

通常の使用では、Vicair B.V. は年にいちどクッションカバーを交換することを推奨します。交換用のカバーは別途購入できます。

## 廃棄

使用した装置や梱包材料を廃棄したり再生利用する場合は、適用法的規制を必ず、順守してください。汚染の危険を避けるために、製品を洗たくしてから廃棄してください。

## お手入れと洗たく

**警告!** 消耗や潰れたセルがないか、3か月ごとに製品を確認してください。大きなダメージがある場合、または多数の潰れているセルがある場合、製品使用を継続しないでください。販売業者にご連絡ください。

**注意!** 製品を蒸気消毒したり（消毒のために）高圧処理したりしないでください。過度な熱や圧力に耐えられません。指示されている洗たく方法に従わない場合、劣化が加速する可能性が非常に高くなります。

注意! クッションを洗たくする際には、強いクレンザーや研磨剤入りのクレンザー、または鋭利な物質を使用しないでください。

注意! Vicair 02 クッションの上側を洗たく機のドアのガラスに直接置かないでください。

#### Vicair XXtra 02の洗たく

- Vicair XXtra 02クッションカバーの洗たく  
クッションカバーは洗濯機洗いが可能です。カバーの内側に付いているラベル上の洗たくの際の指示に従ってください。  
(60°C/140°F)



- Vicair XXtra 02 クッションの洗たく  
Vicair 02 は中性洗剤と60°C /140°Fのお湯で、洗たく機のソフトコースで洗うことができます。クッションを洗たく機に入れる前に、SmartCells を取り外す必要はありません。クッションの上側が洗たく機のドアのガラスに直接接触していないか、確認してください。洗たく機には最大容量の半分以上を入れなくてください。回転速度は減らしてください。アジテーター式の洗たく機を使うときは、クッションがドラム内で自由に移動できるか確認してください。塩素系漂白剤は使用しないでください! また、ドライクリーニングも行わないでください! Vicair 02 クッションは乾燥機にかけず、自然乾燥させてください。Vicair 02 クッションのスリング部分を使って吊るし干しできます。



#### Vicair XXtra 02の消毒

警告! 体液で汚してしまった場合、また製品を別のユーザーに譲る場合、製品は交差汚染を避けるため、消毒される必要があります。クッションとカバーは、上記の指示に従って洗たくしてください。できれば抗菌性の洗剤を使用して

ください。洗たくした後は、クッションとカバーに消毒用スプレーをかけてください。コンパートメントを外側に曲げ、隙間にも必ずスプレーが入るようにしてください。

#### 保証

保証手続きや諸条件についての詳細は、[www.vicair.com](http://www.vicair.com) を参照してください。

Vicair B.V. は、製品が正常に使用されていたことを条件に、作りや材料の欠陥があった場合、限定保証を提供しています。通常でない使用に起因するダメージや、不適切な取り扱いや洗たく、または過失により引き起こされたダメージは、この保証から除外されます。

#### 保証期間

元の購入日から:24 ヶ月間。

Vicair 02 クッションの SmartCells には生涯保証が付いています。

上記保証期間中に素材または作りに欠陥が起こった場合、Vicair B.V. は独自の裁量において、その製品を無料で修理または交換します。クッションカバーはこの保証の対象外です。ここに明示されている保証違反は、製品の修理または交換に制限されています。いかなる場合にも、結果として起こるさらなるダメージは保証違反から起こるダメージには含まれず、販売された非準拠の商品のコストを越える保証はなされません。

#### ご質問がありますか?

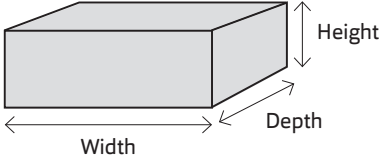
Vicair B.V. までの [info@vicair.com](mailto:info@vicair.com) お問い合わせいただくか、お住まいの国の Vicair の販売業者までお問い合わせください。

Height Vicair XXtra O2= 10 cm / 4 inch

**Available sizes:**

		WIDTH				
inch		22	24	26	28	30
	cm	55	60	65	70	75
DEPTH	18	45				
	20	50				
	22	55				
	24	60				
	26	65				
	28	70				
	30	75				

Information about availability of other sizes on request.





**Vicair B.V.**  
Bruynvisweg 5  
1531 AX Wormer  
The Netherlands

[info@vicair.com](mailto:info@vicair.com)  
[www.vicair.com](http://www.vicair.com)



**ProPharma Group MIS Limited**  
Olliver, Aske, Richmond  
North Yorkshire DL10 5HX  
UK

